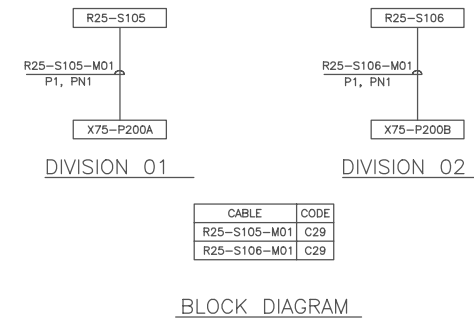
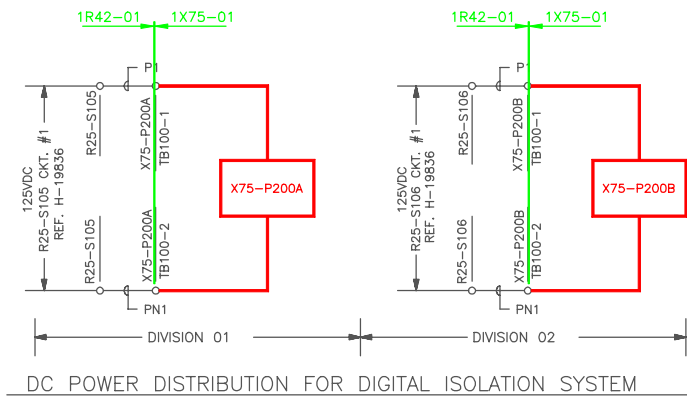
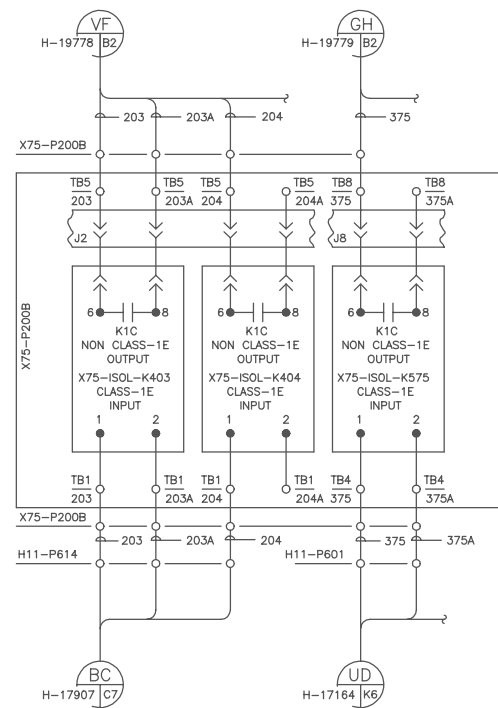
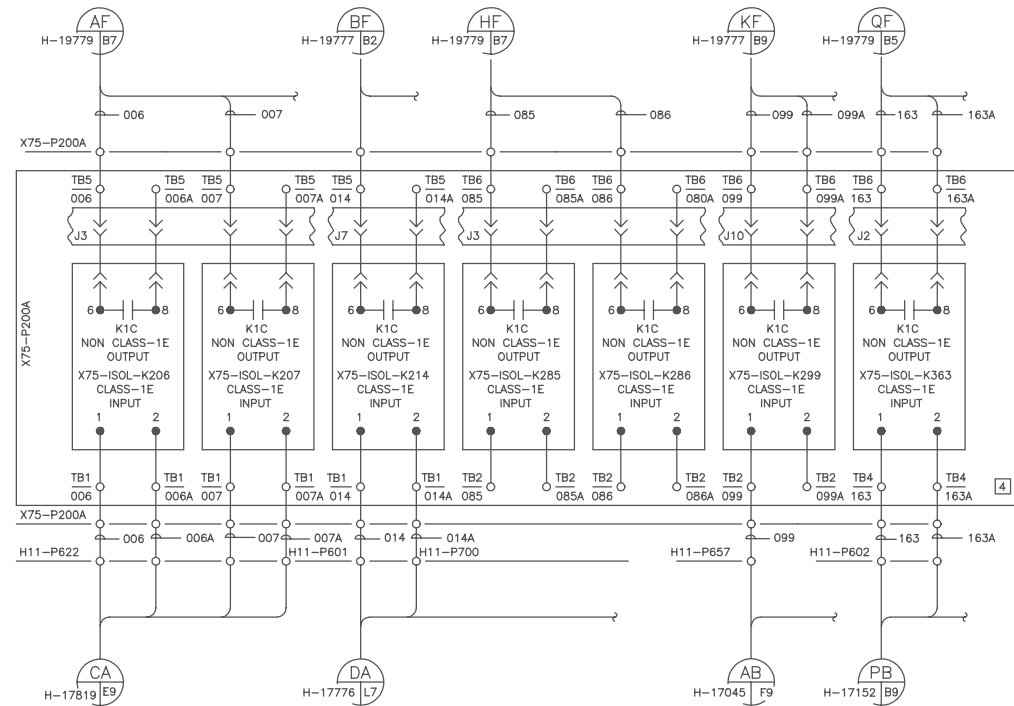


EMERGENCY RESPONSE FACILITY ESSENTIAL & NON-ESSENTIAL DIGITAL SIGNALS DATA ACQUISITION SYSTEM X75A (SEE TABLE 1)



NOTES:

1. SINGLE OUTPUT CKTS. ARE PREWIRED THROUGH PINS (8,10) IN THE ODD NUMBERED ISOLATORS AND THROUGH PINS (7,9) IN EVEN NUMBERED ISOLATORS.
2. IN DUAL OUTPUT CKTS. THE SECOND OUTPUT MUST BE WIRED TO THE APPROPRIATE OUTPUT TERMINAL POINTS THROUGH PINS (1,3) FOR EVEN NUMBERED ISOLATORS AND THROUGH PINS (2,4) FOR ODD NUMBERED ISOLATORS. THE FIRST OUTPUT IS PREWIRED TO THE OUTPUT TERMINAL POINT.
3. FOR DUAL OUTPUT CKTS. SEE TABLE 2 ON SHEET 5 OF 6.
4. SEE REFERENCE SX-18960 POWER DISTRIBUTION DRAWING FOR POWER SUPPLY CONNECTIONS TO ISOLATORS. (NON-CLASS 1E POWER SUPPLY)
5. ISOLATOR WIRING IS CONSISTENT WITH THE VENDOR MANUAL.
6. ISOLATORS APPEAR SEQUENTIALLY EXCEPT DUAL OUTPUT CIRCUITS.
7. OUTPUT CABLES SOURCED AGAINST MUX SYSTEM.

INDEX	
SH	CONTENT
1	SCHEMATIC, POWER DISTRIBUTION ELEMENTARY AND BLOCK DIAGRAM
2	SINGLE OUTPUT ISOLATOR ELEMENTARY
3	SINGLE OUTPUT ISOLATOR ELEMENTARY
4	SINGLE OUTPUT ISOLATOR ELEMENTARY
5	DUAL OUTPUT ISOLATOR ELEMENTARY
6	BLOCK DIAGRAM

REFERENCE DRAWINGS

REF.	VENDOR DWG. NO.	MPL NUMBER	TITLE
1	SX-18960	QX75-P200	ERF E1 4400 CLASS 1E DIGITAL ISOL. SYSTEM INSTRUCTION MANUAL
2	H-19734	QX75-P200A	CLASS 1E DIGITAL ISOLATION SYS. DIV. I WIRING DIAG. (INPUTS)
3	H-19736	QX75-P200B	CLASS 1E DIGITAL ISOLATION SYS. DIV. II WIRING DIAG. (INPUTS)
4	H-19735	QX75-P200A	CLASS 1E DIGITAL ISOLATION SYS. DIV. I WIRING DIAG. (OUTPUTS)
5	H-19737	QX75-P200B	CLASS 1E DIGITAL ISOLATION SYS. DIV. II WIRING DIAG. (OUTPUTS)

BOUNDARY DIAGRAM NO.: 1X75-B01-01
 FUNCTION(S) NO.: 1X75-01
 PREPARED BY: MARK CRISLER
 DATE: 4/21/98
 REVIEWED BY: RENEE RITCHEY
 DATE: 5/4/98

LICENSE RENEWAL DOCUMENT

MPL NO. X75 ACAD14 HL19769

SOUTHERN COMPANY

LICENSE RENEWAL SCREENING FOR INFORMATION ONLY

EDWIN I. HATCH NUCLEAR PLANT UNIT No. 1
 EMERGENCY RESPONSE FACILITIES
 CLASS 1E TO NON CLASS 1E DIGITAL ISOLATION SYS X75A ELEM DIA SH 1 OF 6

BY	CHK'D	APPR'D	DATE	SCALE	LOCATION	DOCUMENT NUMBER	REVISION
TRM	RBR	ASK		None	10-502	HL-19769	A

Revision: A Date: 11-19-99
 APPROVED. ISSUED PER LICENSE RENEWAL BOUNDARY PACKAGES.
 DRAWING CREATED FROM H-19769, REV.2; BY TRM.