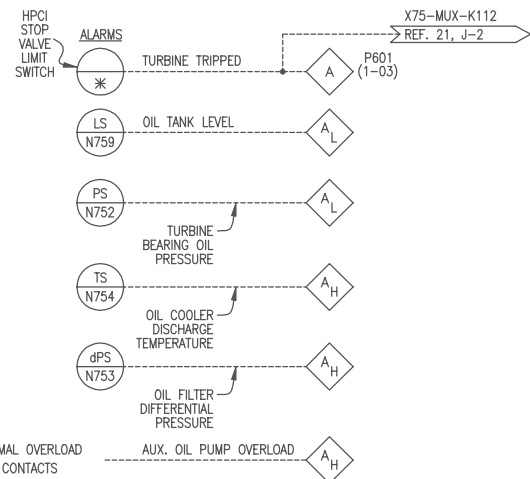
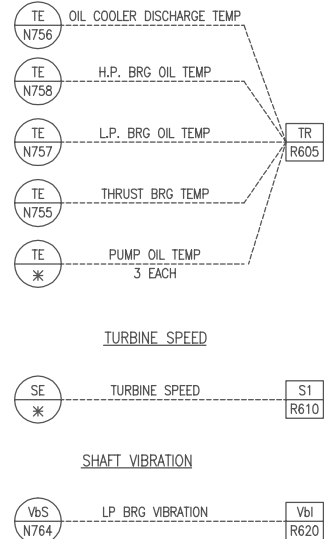


TURBINE SUPERVISORY INSTRUMENTATION

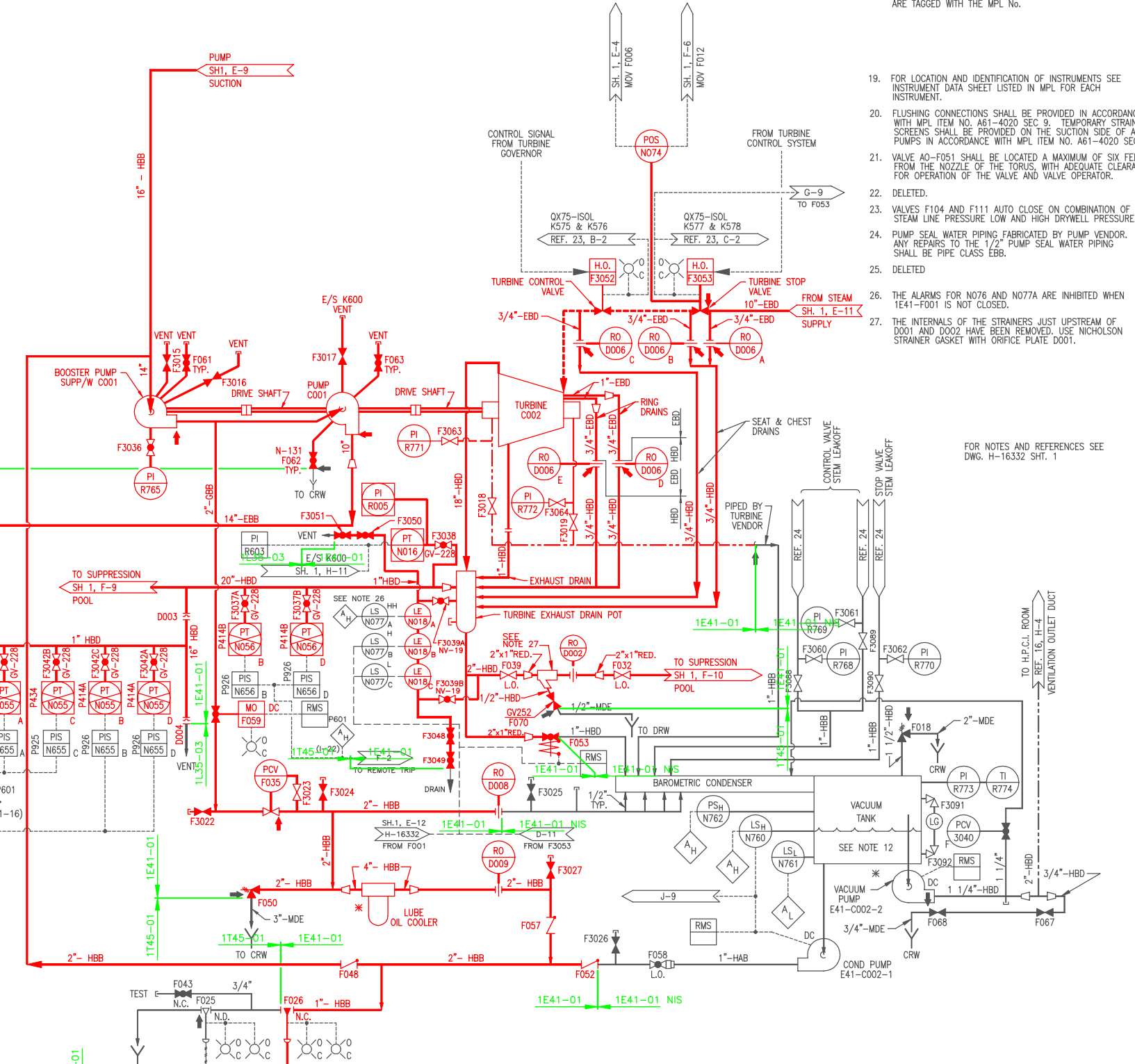
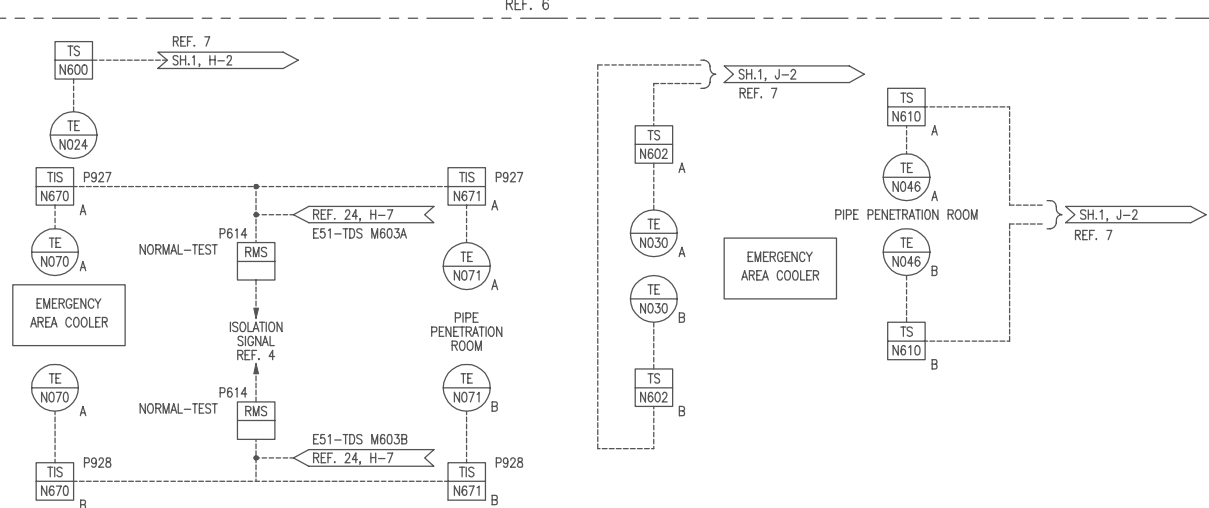
TURBINE HYDRAULIC CONTROL SYSTEM



TEMP RECORDING



HPCI EQUIP. AREA LEAK DETECTION SYS. REF. 6



BOUNDARY DIAGRAM NO.: 1E41-B01-02
FUNCTION(S) NO.: 1E41-01
PREPARED BY: WAYNE LUNCEFORD
DATE: 5/8/98
REVIEWED BY: WILLIAM P. EVANS
DATE: 5/8/98

LICENSE RENEWAL DOCUMENT
MPL NO. E41-1010 ACAD14 HL16333

SOUTHERN COMPANY
LICENSE RENEWAL SCREENING FOR INFORMATION ONLY
EDWIN I. HATCH NUCLEAR PLANT UNIT No.1
HPCI SYSTEM P&ID SHEET NO. 2

Revision: A Date: 1-7-2000
APPROVED, ISSUED PER LICENSE RENEWAL BOUNDARY PACKAGES. DRAWING CREATED FROM H-16333, REV.34; BY TRM.

BY	CHKD.	APPR.1	APPR.2	LOCATION	DOCUMENT NUMBER	REVISION
TRM	RLM	ASK		10-502	HL-16333	A

APPROVED, ISSUED PER LICENSE RENEWAL BOUNDARY PACKAGES. DRAWING CREATED FROM H-16333, REV.34; BY TRM.