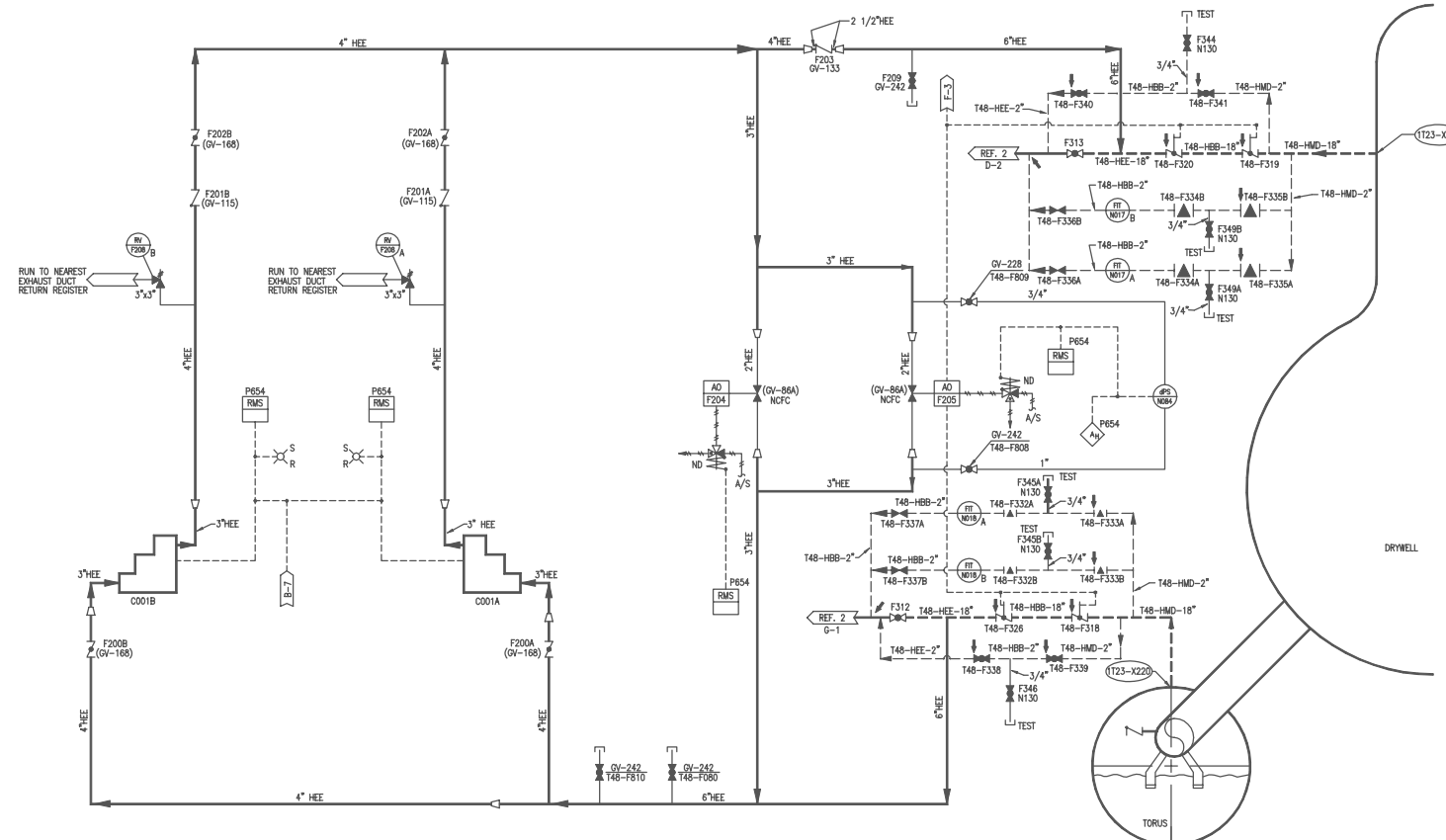


NOTES

1. ALL EQUIPMENT AND INSTRUMENT NOS. ON THIS DRAWING PRECEDED BY T48; EXCEPT T48-8002.



REFERENCES

- | REFERENCE | MPL. NO. | DWG. NO. |
|---|----------|----------------------|
| 1. REACTOR BLDG. CLOSED COOLING WATER SYSTEM P. & LD. | P42-1010 | H-16009 |
| 2. PRIMARY CONTAINMENT PURGE & INERTING SYSTEM P. & LD. | T48-1020 | H-16024 |
| 3. PRIMARY CONTAINMENT ISOLATION SYSTEM | C61-1040 | H-17801 THRU H-17805 |

BOUNDARY DIAGRAM NO.: T48-B01-03
FUNCTION(S) NO.: 1T48-04
PREPARED BY: ED DAVIDSON
DATE: 4/27/98
REVIEWED BY: ALEX MORRISON
DATE: 4/27/98

LICENSE RENEWAL DOCUMENT

MPL. NO. T48-1030 ACAD14 HL16153



LICENSE RENEWAL SCREENING FOR INFORMATION ONLY

EDWIN I. HATCH NUCLEAR PLANT UNIT No. 1
DRYWELL TO TORUS DIFFERENTIAL PRESSURE SYSTEM P. & LD.

Revisions: A Date: 1-5-2000
 APPROVED. ISSUED PER LICENSE RENEWAL BOUNDARY PACKAGES. DRAWING CREATED FROM H-16153, REV. 13; BY JDM.

TRM	ED	ASK

TRM	ED	ASK

TRM	ED	ASK

TRM	ED	ASK

TRM	ED	ASK

TRM	ED	ASK

TRM	ED	ASK