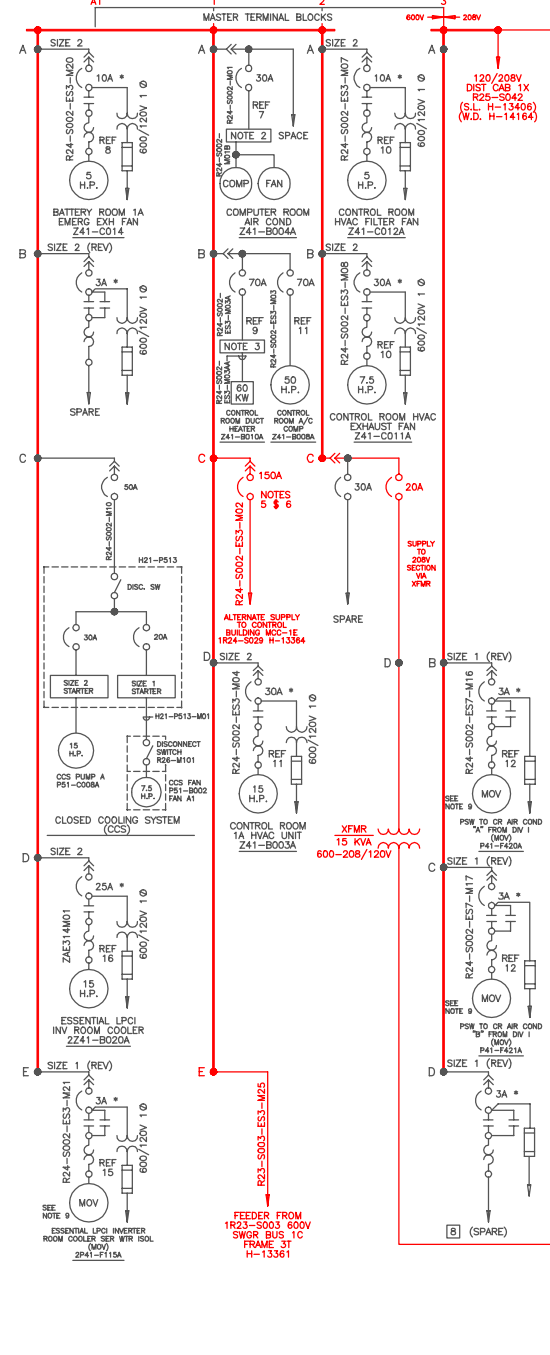


CONTROL BUILDING 600/208V MCC-1B (R24-S002)

FEEDER FROM 1R23-S004 600V SWGR BUS 1D FRAME 3T H-13361

CONTROL BUILDING 600/208V MCC-1C (R24-S003)

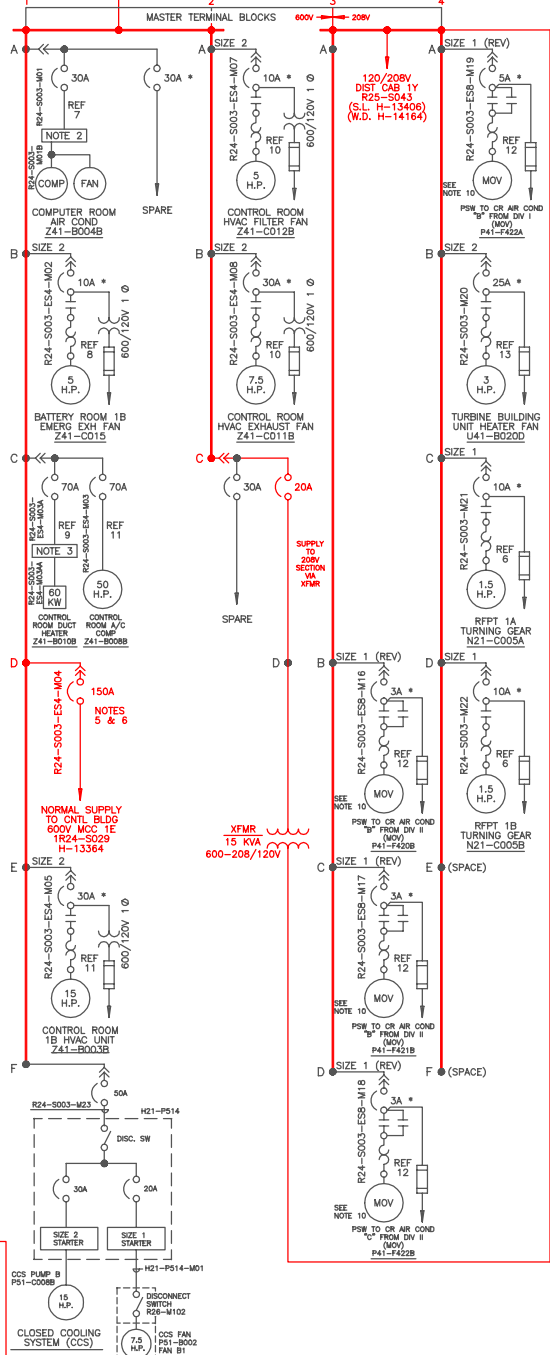
R23-S004-ES4-M25



**BOUNDARY DIAGRAM NO.: 1R20-B01-09**

**FUNCTION(S) NO.: 1R20-01**

**PREPARED BY:** Mark Crister  
**DATE:** 04/06/98  
**REVIEWED BY:** Renee Ritchey  
**DATE:** 04/16/98



- NOTES:**
- \* CONSTANT RATING FOR MAGNETIC BREAKER WITH ADJUSTABLE INSTANTANEOUS TRIP RANGE.
  - AUTO TRANSFORMER FOR COMPUTER ROOM AIR CONDITIONER.
  - SCR POWER CONTROLLER.
  - 
  - THESE BREAKERS HAVE A REPLACEABLE TRIP MECHANISM. ALTHOUGH THE LABEL PLATE ON THE BREAKER CASE INDICATES A 125A TRIP SETTING, THE INSTALLED TRIP MECHANISM HAS A 150A TRIP SETTING.
  - FOR SHUNT TRIP INTERLOCK LOGIC, SEE THE NORMAL AND ALTERNATE SUPPLY SCHEMATICS ON DWG. H-14106.
  - SEE MASTER FUSE LIST FOR FUSE DESIGN INFORMATION.
  - BEFORE USING THESE FRAMES, VERIFY EQUIPMENT STATUS. SOME COMPONENTS MAY NEED REPAIR AND/OR REPLACEMENT. IF A FRAME IS REFURBISHED TO FULLY OPERATIONAL CAPABILITY, A WORK ORDER SHOULD DOCUMENT THE CHANGE OF STATUS.  
REF: MWO # 1-91-5694 (1R24-S002 FR. 3D)
  - SEE MCC DATA SHEET B-13049 FOR MOTOR DATA.
  - SEE MCC DATA SHEET B-13050 FOR MOTOR DATA.

- REFERENCES:**
- B-13027 FRONT VIEW R24-S002 AND R24-S003
  - H-14102 WIRING DIAGRAM R24-S002 - FRAME 1
  - H-14117 WIRING DIAGRAM R24-S002 - FRAME AT
  - H-14103 WIRING DIAGRAM R24-S003 - FRAMES 1-3
  - H-14118 WIRING DIAGRAM R24-S003 - FRAME
  - H-13379 ELEMENTARY DIAGRAM REACTOR FEED PUMP TURBINE 1A AND 1B
  - H-17107 CONTROL BUILDING COMPUTER ROOM WATER ANALYSIS ROOM AND HOT INSTRUMENT SHOP A/C SYS Z41 ELEMENTARY DIAGRAM SHEET 2 OF 2
  - H-17067 CONTROL BUILDING VENTILATION SYSTEM Z41 ELEMENTARY DIAGRAM SHEET 2 OF 2
  - H-17073 CONTROL BUILDING CONTROL AND CABLE SPREADING ROOMS A/C SYSTEM Z41 ELEMENTARY DIAGRAM SHEET 6 OF 7
  - H-17069 CONTROL BUILDING CONTROL AND CABLE SPREADING ROOMS A/C SYSTEM Z41 ELEMENTARY DIAGRAM SHEET 2 OF 7
  - H-17068 CONTROL BUILDING CONTROL AND CABLE SPREADING ROOMS A/C SYSTEM Z41 ELEMENTARY DIAGRAM SHEET 1 OF 7
  - H-13388 ELEMENTARY DIAGRAM PLANT SERVICE WATER M.O. VALVES
  - DELETED
  - H-17062 TURBINE BUILDING VENTILATION SYSTEM U41 ELEMENTARY DIAGRAM
  - H-17156 ELEMENTARY & WIRING DIAGRAM INVERTER ROOM HVAC SERVICE WATER SYSTEM P41
  - H-27841 ELEMENTARY DIAGRAM CONTROL BUILDING VENTILATION SYSTEM Z41
  - S-13903 LAYOUT DRAWING-ESSENTIAL MCC 1B R24-S002
  - S-13904 LAYOUT DRAWING-ESSENTIAL MCC 1C R24-S003
  - S-13929 MCC WIRING DIAGRAM-CIRCUIT BREAKERS AND STARTERS
  - SX-13538 ESSENTIAL MCC 1B R24-S002 STRUCTURE ADDITION
  - SX-13607 ESSENTIAL MCC 1C R24-S003 STRUCTURE ADDITION
  - A-10109 LOAD LIST FOR R24-S002
  - A-10110 LOAD LIST FOR R24-S003

LICENSE RENEWAL DOCUMENT

MPL NO. R24 ACAD14 HL13365

**SOUTHERN COMPANY**

LICENSE RENEWAL SCREENING FOR INFORMATION ONLY

EDWIN I. HATCH NUCLEAR PLANT UNIT No. 1  
 SINGLE LINE DIAGRAM - CONTROL BUILDING  
 600V-208V MCC-1B & 1C  
 MPL'S R24-S002 AND R24-S003

Revision: A Date: 11-12-99

APPROVED: ISSUED PER LICENSE RENEWAL BOUNDARY PACKAGES. DRAWING CREATED FROM H-13365, REV. 33; ECR.

DESIGN	CHECK	DATE	REVISION
SKN	LOF		
SKN	SKN		
SKN	None		

10-502 HL-13365 A