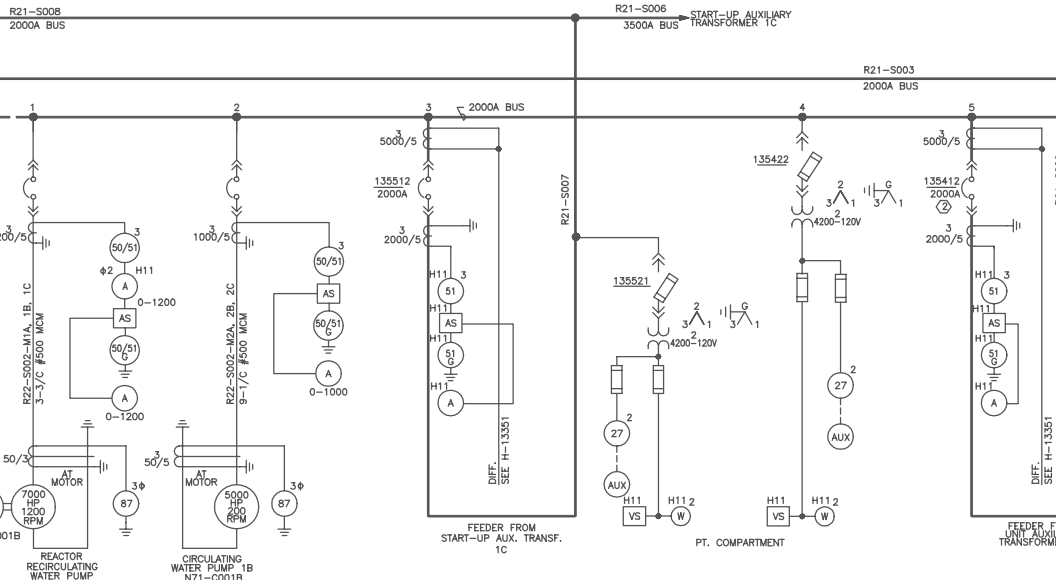
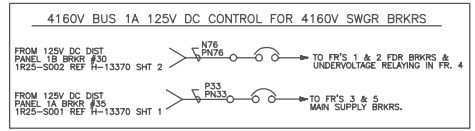
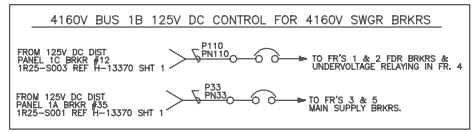
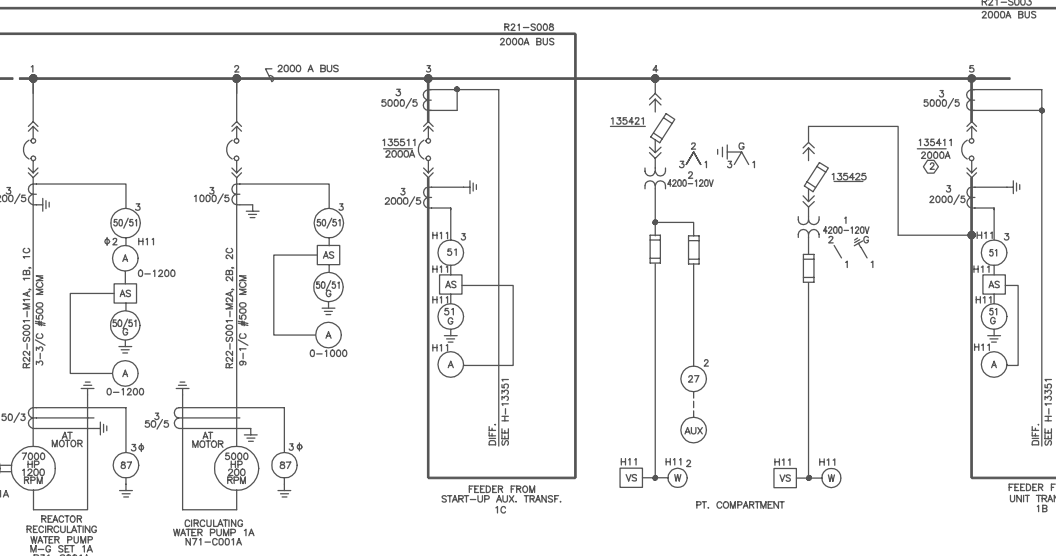


4160V BUS 1B
R22-S002



4160V BUS 1A
R22-S001



- NOTES:
- REFER TO THE MASTER FUSE LIST FOR FUSE DESIGN INFORMATION.
 - KEY INTERLOCK GROUP - INTERLOCK WILL REQUIRE 4160V KEYS TO BE OPEN BEFORE THE TRANSF. DISCONNECT SWITCH CAN BE OPERATED.
- REFERENCES:
- A-13350 ELECTRICAL SYMBOLS AND NOMENCLATURE
 - H-13350 MASTER SINGLE LINE DIAGRAM
 - H-13351 SINGLE LINE DIAG. - GEN. & STA. SERVICE
 - H-13352 SINGLE LINE DIAG. - EMERG. STA. SERVICE
 - H-13471-81 W.D. R22-S001, S002
 - H-13471-75 WIRING DIAGRAM 4160V BUS 1A
 - H-13471-81 WIRING DIAGRAM 4160V BUS 1B
 - H-13544 WIRING DIAGRAM 4160V BUS 1AA
 - H-13545 WIRING DIAGRAM 4160V BUS 1BB

BOUNDARY DIAGRAM NO.: 1R20-801-02
FUNCTION(S) NO.: 1R20-01
PREPARED BY: MARK CRISLER
DATE: 4/6/98
REVIEWED BY: RENEE RITCHEY
DATE: 4/20/98

Revisions: A | Date: 11-10-99
APPROVED, ISSUED PER LICENSE RENEWAL BOUNDARY PACKAGES.
DRAWING CREATED FROM H-13354, REV. 9, BY JDM.

LICENSE RENEWAL DOCUMENT

MPL NO. R22 ACAD14 HL13354

SOUTHERN COMPANY

LICENSE RENEWAL SCREENING FOR INFORMATION ONLY

EDWIN I. HATCH NUCLEAR PLANT UNIT No. 1
SINGLE LINE DIAGRAM
4160V BUS 1A, R22-S001, BUS 1B R22-S002,
BUS 1AA R22-S008 & BUS 1BB R22-S009

DATE	REVISION	LOCATION	REVISION NUMBER	REASON
10-502	HL-13354			A

TRM | GNC | ASK