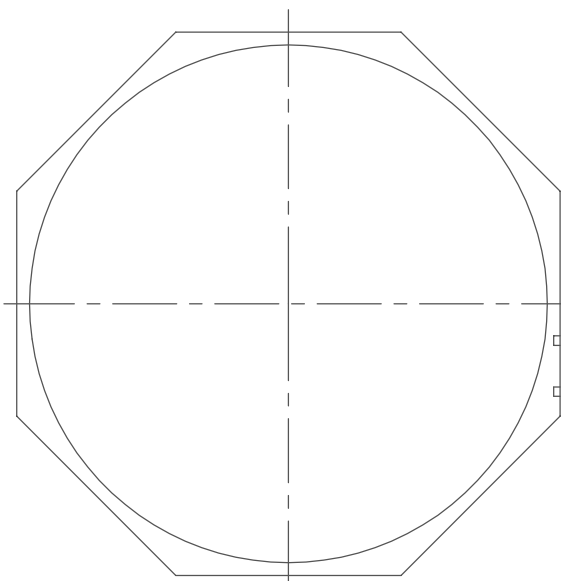


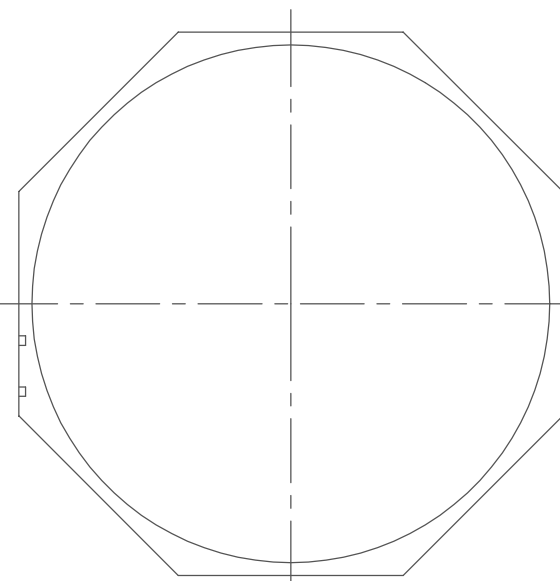
KEY PLAN

- NOTES:
1. FOR LEGEND SEE DWG. H-11801
 2. FOR GENERAL NOTES SEE DWG. H-11802



FIRE TANK NO.1

FIRE PROTECTION PUMP HOUSE FLOOR PLAN AT EL. 128'-5"



FIRE TANK NO.2

BOUNDARY DIAGRAM NO.: 1X43-807-19
 FUNCTION(S) NO.: 1X43-07
 PREPARED BY: M D STEPHENS
 DATE: 5/26/98
 REVIEWED BY: ALEX MORRISON
 DATE: 7/20/98

LICENSE RENEWAL DOCUMENT

ACAD14 | HL1184801



LICENSE RENEWAL SCREENING FOR INFORMATION ONLY

EDWIN I. HATCH NUCLEAR PLANT UNIT No.1-2
FIRE HAZARD ANALYSIS
FIRE PROTECTION PUMP HOUSE

Revisions: A Date: 12-22-99
 APPROVED, ISSUED PER LICENSE RENEWAL BOUNDARY PACKAGES. DRAWING CREATED FROM H-11848, REV.0; BY TDM.

BY	DATE	DESCRIPTION
TDM	12/22/99	ISSUE
MDS		ASK

PROJECT	10-502	LOCATION	HL-11848	REVISION	A
SCALE	1/4"=1'-0"				