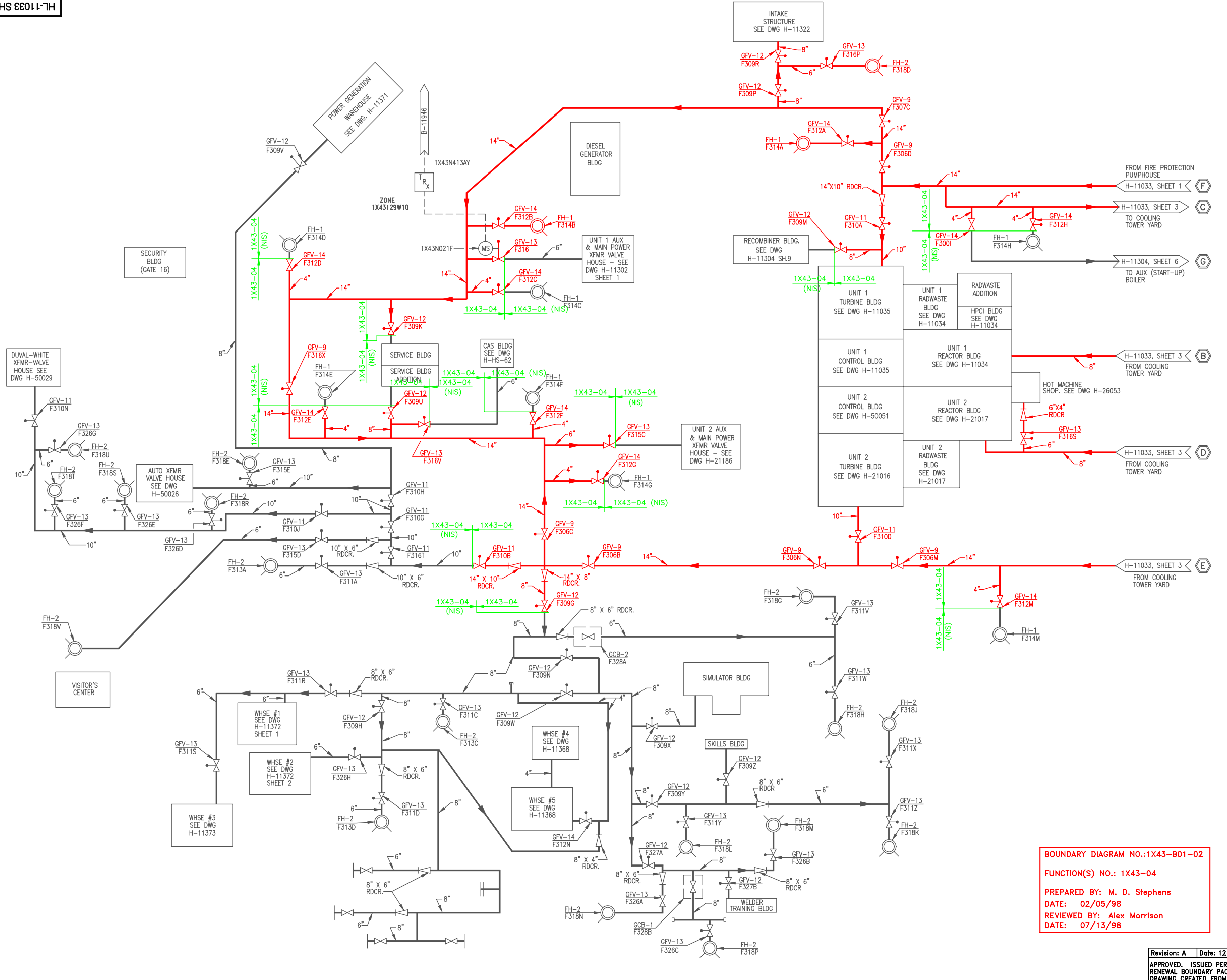


A  
B  
C  
D  
E  
F  
G  
H  
J



- NOTES:**
- ALL MPL NO.S ARE PRECEDED BY 1Y43 UNLESS OTHERWISE NOTED.
- REFERENCES:**
- B-11946 ----- FP FCD - ZONE 1X43129W10
  - H-11033 SH 1----- FP P&ID - FIRE PROTECTION PUMPHOUSE.
  - H-11033 SH 3----- FP P&ID - FIRE PROTECTION AT COOLING TOWER YARD.
  - H-11034 ----- FP P&ID - UNIT 1 REACTOR BLDG HEADER, RADWASTE BLDG. HPCI BLDG.
  - H-11035 ----- FP P&ID - UNIT 1 TURBINE BLDG HEADER, CONTROL BLDG.
  - H-11132 ----- FP P&ID - INTAKE STRUCT.
  - H-11150 ----- FP PIPING-UNDERGROUND YARD PHYSICAL LAYOUT.
  - H-11302 SH 1----- FP P&ID - START UP AUX TRANSFORMER ID.
  - H-11304 SH 6----- FP P&ID - AUX START UP BOILER.
  - H-11304 SH 9----- FP P&ID - RECOMBINER BLDG. WASTE GAS TREATMENT BLDG.
  - H-11368 ----- FP P&ID WAREHOUSE #4 & 5.
  - H-11371 ----- FP P&ID - POWER GENERATION WAREHOUSE.
  - H-11372 SH 1----- FP P&ID - WAREHOUSE NUMBER 1.
  - H-11372 SH 2----- FP P&ID - WAREHOUSE NUMBER 2.
  - H-11373 ----- FP P&ID - WAREHOUSE #3
  - H-21016 ----- FP P&ID - UNIT 2 TURBINE BUILDING.
  - H-21017 ----- FP P&ID - UNIT 2 REACTOR BUILDING HEADER, RADWASTE BLDG.
  - H-21186 ----- FP P&ID - AUX TRANSFORMER 2A & 2B.
  - H-50026 ----- FP P&ID - 500/230 KV AUTO TRANSFORMER.
  - H-50029 ----- FP P&ID - DUVAL 500 KV REACTORS
  - H-50051 ----- FP P&ID - UNIT 2 CONTROL BUILDING.
  - H-HS-62 ----- FP P&ID - CAS BUILDING

- LEGEND:**
- OO ----- HYDRANT HSE NOS.
  - ----- FIRE HYDRANT
  - ▽ ----- REDUCER
  - ⊗ ----- GATE VALVE W/INDICATOR POST (NORMALLY OPEN)
  - ⊗(MS) ----- GATE VALVE W/INDICATOR POST (NORMALLY OPEN) WITH MONITOR SWITCH
  - ⊗(X) ----- GATE VALVE WITH ROAD BOX ACCESS
  - ⊗(X) ----- LINE CONTINUATION REFERENCE
  - ⊗(R,X) ----- ADDRESSABLE INTERFACE MODULE

**BOUNDARY DIAGRAM NO.: 1Y43-B01-02**  
**FUNCTION(S) NO.: 1Y43-04**  
 PREPARED BY: M. D. Stephens  
 DATE: 02/05/98  
 REVIEWED BY: Alex Morrison  
 DATE: 07/13/98

**LICENSE RENEWAL DOCUMENT**  
 MPL NO. Y43 ACAD14 HL1103302

**SOUTHERN COMPANY**

**LICENSE RENEWAL SCREENING FOR INFORMATION ONLY**

EDWIN I. HATCH NUCLEAR PLANT UNIT No. 1  
 FIRE PROTECTION - P.&I.D.  
 YARD LAYOUT

| BY  | CHKD. | APPR. | DATE | SCALE | LOCATION | DOCUMENT NUMBER  | REVISION |
|-----|-------|-------|------|-------|----------|------------------|----------|
| BKN | LCF   |       |      | None  | 10-502   | HL-11033 SHEET 2 | A        |

Revision: A Date: 12-06-99  
 APPROVED. ISSUED PER LICENSE RENEWAL BOUNDARY PACKAGES DRAWING CREATED FROM H-11033, SH.2, REV21; BY BKN.