

447 March Road
Kanata, Ontario
Canada K2K 1X8
Tel: 613 592-2790



Science Advancing Health

February 2, 2000

John T. Yankovich
Senior Engineer
Sealed Source Safety Section
Division of Industrial and Medical Nuclear Safety
Office of Nuclear Materials Safety and Safeguard
United States Nuclear Regulatory Commission
Mail Stop: T-8F-5
2 White Flint North
11545 Rockville Pike
Rockville, MD
20555

Dear Mr. Yankovich:

This letter is further to our telephone conversation of February 1, 2000, and our letter to you dated January 19, 2000 pertaining to our responses to your comments for the device, TheraSphere.

As agreed in our telephone conversation on February 1, 2000, with this letter we are enclosing another copy of Attachment 8, TheraSphere Shipping Package Information Drawing. This drawing contains the additional wording "MDS Nordion permits release of this information drawing for public record" to facilitate preparation of the US NRC report and permit retention of this drawing for your records.

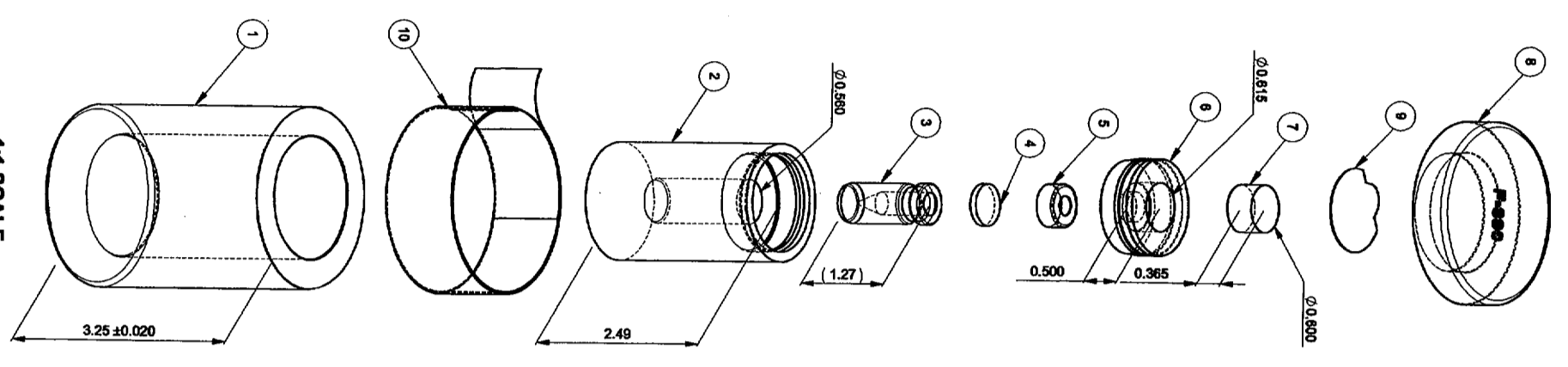
Please return to this office, Attachment 1 to 8, which we understand are being replaced in your files by the above drawing.

Should further clarification be required, please do not hesitate to contact me.

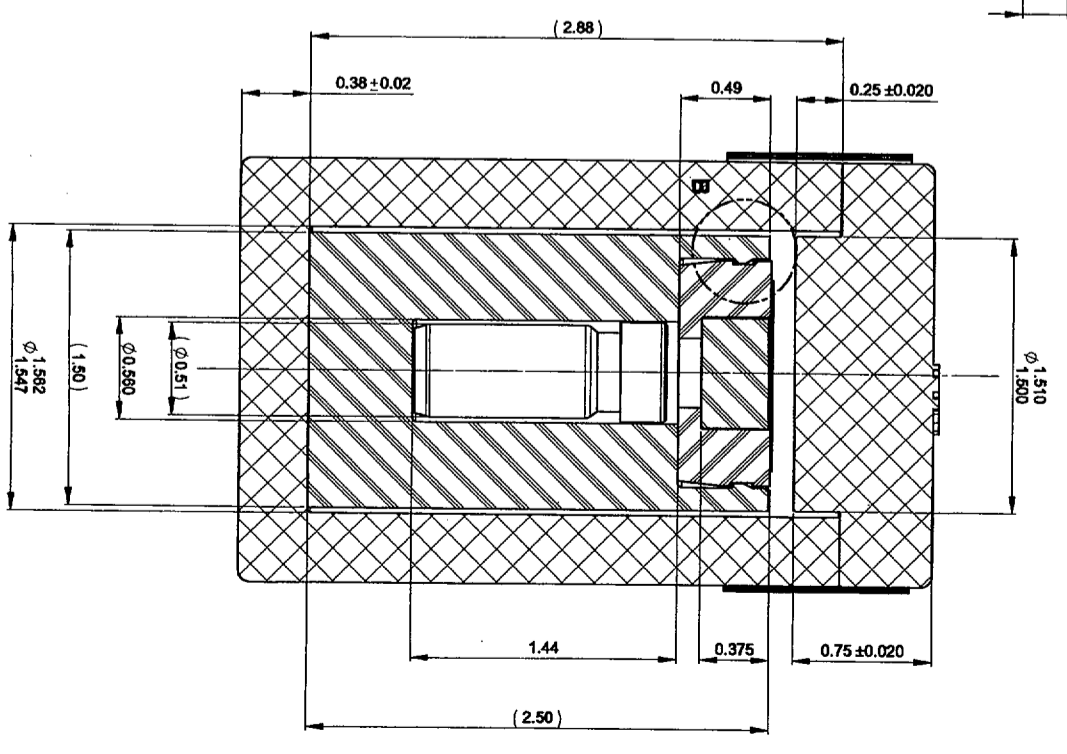
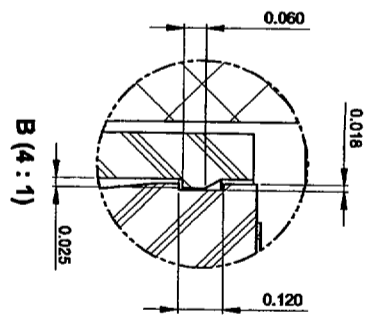
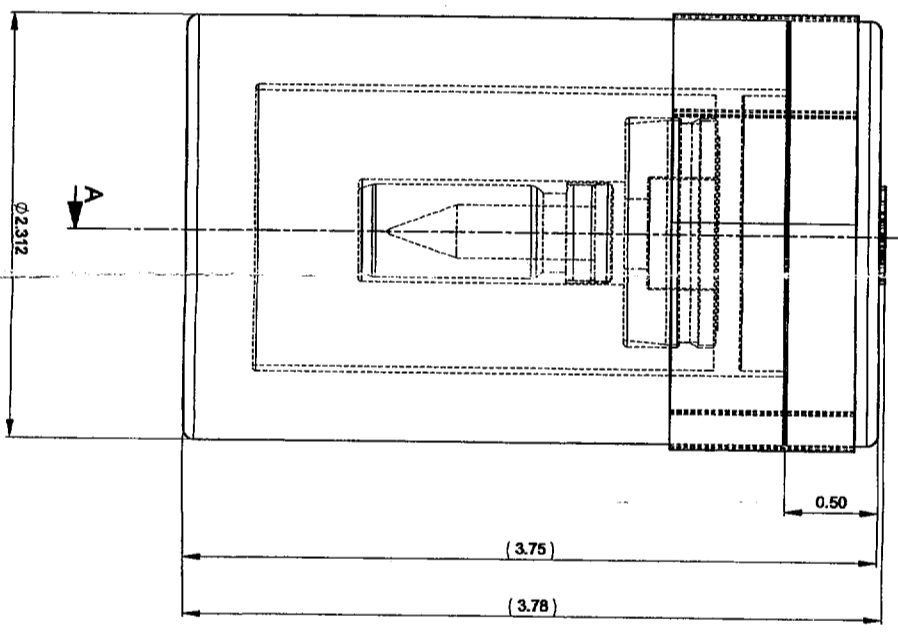
Yours sincerely,

A handwritten signature in black ink, appearing to read "Ann Warbick Cerone". The signature is fluid and cursive, with a long horizontal flourish at the end.

Ann Warbick Cerone
Manager, Regulatory Affairs
Tel: (613) 592-3400 Ext. 2033
Fax: (613) 591-7481
Email: awarbick@mds.nordion.com



1:1 SCALE



| ITEM | QTY | PART NO. | SYMBOL | DESCRIPTION |
|------|-----|------------|--------|---|
| 1 | 1 | F30001-004 | B | F-300 LEAD POT BODY |
| 2 | 1 | K12001-004 | C | SHIELD BRACE (PART ASSEMBLY) |
| 3 | 1 | | | DOSE WALL SH. |
| 4 | 1 | | | BEPTUNA |
| 5 | 1 | K12001-006 | B | ALUMINUM CORNER CAP |
| 6 | 1 | K12001-008 | B | SHIELD CAP (PART ASSEMBLY) |
| 7 | 1 | K12001-009 | B | SHIELD PLUG (PART ASSEMBLY) |
| 8 | 1 | F30001-005 | B | F-300 LEAD POT CAP |
| 9 | 1 | K12001-004 | B | TAMPON EVIDENCE BALL |
| 10 | 1 | | B | SM. PLIERS ELEMENT TAPE (PART ASSEMBLY) |

MDS NORDION PERMITS RELEASE OF THIS INFORMATION
DRAWING FOR PUBLIC RECORD
 ROD EDGECOMBE - MANAGER D.I.P.E.

| | | | |
|---|-------------------|------|-------------|
| DATE | 2000 JUN 11 | DATE | 2000 JUN 11 |
| DESIGNER | M. CHENIER | DATE | 2000 JUN 11 |
| DESCRIPTION | DCM 641-482-C-10A | DATE | 2000 JUN 11 |
| SCALE | AS NOTED | DATE | 2000 JUN 11 |
| ISSUE | A | DATE | 2000 JUN 11 |
| MDS Nordion THERASPIHERE SHIPPING PACKAGE INFORMATION DRAWING | | | |



Science Advancing Health

*447 March Road
Kanata, Ontario
Canada K2K 1X8*

John T. Yankovich
Senior Engineer
United States Nuclear Regulatory Commission
Mail Stop: T-8F-5
2 White Flint North
11545 Rockville Pike
Rockville MD
20555

DHL
WORLDWIDE EXPRESS
Combined Customs Invoice / Shipment Air Waybill
Facture des Douanes / Connaissance d'envoi de l'envoi
(Non negotiable) / (Non negociabile)

1 From (Sender) / Expéditeur

Account no./No de compte
Sender's name/Nom de l'expéditeur
References de l'expéditeur les douze premiers caractères apparaitront sur la facture
Sender's reference first twelve characters will be shown on invoice

2 To (Receiver) / Destinataire (réceptionnaire)

Postal code/Code postal
Phone/Fax/Telex specify area
Telephone/Le copier/le tél. indiquez l'ajout

3 Shipment details / Détails sur l'envoi

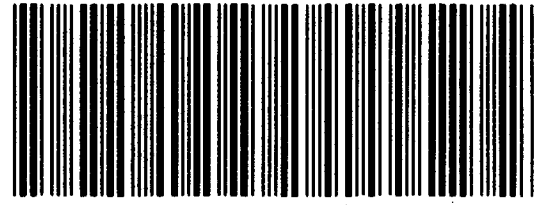
Full description of contents Description complète du contenu

Country of manufacture Pays de fabrication
International Worldwide Parcel Express shipment with Envois Worldwide Parcel Express à destination internationale
Sender's VAT/EU No. No de TVA de l'expéditeur

5 Sender's authorization and signature/Autorisation et signature de l'expéditeur

Signature
Date
I/we agree that DHL's standard terms apply to this shipment and limit DHL's liability. The Convention may also apply (voir reverse).
J'accepte (nous acceptons) que les modalités standard de DHL s'appliquent à cet envoi, et limitent la responsabilité de DHL. La Convention de Varsovie peut aussi s'appliquer (voir l'arrière).
The undersigned that DHL does not transport cash or dangerous goods (see reverse). In countries where DHL is not licensed, DHL does not transport cash or dangerous goods (see reverse).
DHL ne transporte pas d'espèces ou de marchandises (voir l'arrière).
PRINTED IN USA

7389070603



ORIGIN/ORIGINE
YOM

DESTINATION
YOM

4 Size and weight/Taille et poids

No. of pieces
Weight/Poids

Dimensions cm L x W x H
kg

VOLUMETRIC/CHARGED WEIGHT
POIDS VOLUMÉTRIQUE/FACTURE

CHARGES/FRAIS
Services/Services

Special - Spéciaux
Services/Services

Insurance - Assurance

Other/VAT - Autre/TVA

CURRENCY CODE TOTAL
CODE DE DEVISE

TRANSPORT COLLECT STICKER No.

PICKED UP BY / RAMASSE PAR

Route No.
Time
Date

Destination Copy / Copie de Destination