

February 17, 2000

Mr. Dal M. Nett
Chief, Safety Division
Attn: CSTE-DTC-IM-S
U.S. Army Developmental Test Command
Aberdeen Proving Ground, MD 21005-5055

SUBJECT: SUMMARY OF FEBRUARY 10, 2000, MEETING TO PROVIDE UPDATE ON
JEFFERSON PROVING GROUND SITE IN MADISON, INDIANA

Dear Mr. Nett:

On February 10, 2000, we met with you to receive an introduction briefing and a decommissioning status update on Jefferson Proving Ground site in Madison, Indiana. The meeting took place at Aberdeen Proving Ground, Maryland. Enclosure 1 includes a summary of the meeting including the agreements reached and action items. Enclosure 2 is the attendance list for the meeting. Enclosure 3 contains the handouts from the meeting. If you have any questions, please contact Ms. Sherry W. Lewis of my staff at (301) 415-6619.

Sincerely,

Original signed by:

Larry W. Camper, Chief
Decommissioning Branch
Division of Waste Management
Office of Nuclear Material Safety
and Safeguards

License No. SUB-1435
Docket No. 040-08838
cc: JPG Distribution List
Enclosures:
1. Meeting Report
2. Meeting Attendees
3. Handout from Meeting

NO FILE CENTER 2000

This document should should not be made available to the PUBLIC *LC* 2/11/00.

TAC NO. L52101

DISTRIBUTION: [All w/ encls.]

File Center DCB r/f NMSS r/f JHolonich LBell LSuttora PLee/RIII BJorgensen/RIII

DOCUMENT NAME: S:\DWM\DCB\Sw\JPG Meeting Report.wpd

OFC	DCB	E	DCB	DCB	DCB
NAME	SLewis <i>SL</i>	JCopeland	RNelson	LCampe <i>LC</i>	
DATE	2/11/00	2/ /00	2/11/00	2/11/00	

C = COVER

E = COVER & ENCLOSURE

N = NO COPY

OFFICIAL RECORD COPY

ACNW: YES NO Delete file after distribution: Yes No

DF03



UNITED STATES
NUCLEAR REGULATORY COMMISSION
WASHINGTON, D.C. 20555-0001

February 17, 2000


Mr. Dal M. Nett
Chief, Safety Division
Attn: CSTE-DTC-IM-S
U.S. Army Developmental Test Command
Aberdeen Proving Ground, MD 21005-5055

SUBJECT: SUMMARY OF FEBRUARY 10, 2000, MEETING TO PROVIDE UPDATE ON
JEFFERSON PROVING GROUND SITE IN MADISON, INDIANA

Dear Mr. Nett:

On February 10, 2000, we met with you to receive an introduction briefing and a decommissioning status update on Jefferson Proving Ground site in Madison, Indiana. The meeting took place at Aberdeen Proving Ground, Maryland. Enclosure 1 includes a summary of the meeting including the agreements reached and action items. Enclosure 2 is the attendance list for the meeting. Enclosure 3 contains the handouts from the meeting. If you have any questions, please contact Ms. Sherry W. Lewis of my staff at (301) 415-6619.

Sincerely,


Larry W. Camper, Chief
Decommissioning Branch
Division of Waste Management
Office of Nuclear Material Safety
and Safeguards

License No. SUB-1435
Docket No. 040-08838

cc: JPG Distribution List

Enclosures:

1. Meeting Report
2. Meeting Attendees
3. Handout from Meeting

U.S. Army Jefferson Proving Ground Distribution List - Letter Dated 02/17/00

Ms. Joyce E. Kuykendall, Health Physicist
U.S. Army Soldier and Chemical Biological
Command
ATTN: AMSSB-RCB-RS
5183 Black Hawk Road
Aberdeen Proving Ground, MD 21010-5424

Mr. Paul Cloud, Commander
U.S. Army Soldier and Biological Chemical
Command
ATTN: AMSSB-OET
5183 Black Hawk Road
Aberdeen Proving Ground, MD 21010-5424

Dr. John L. Russell, Director
Washington Office and Assistant to the
President
Center for Nuclear Waste Regulatory
Analyses
Twinbrook Metro Plaza, #210
12300 Twinbrook Parkway
Rockville, MD 20852-1606

Mr. Kevin Herrom, State Remedial Project
Manager
Federal Programs Section
Office of Land Quality
Indiana Department of Environmental
Management
P.O. Box 6015
Indianapolis, IN 46206

Ms. Karen Mason-Smith, Remedial Project
Manager
U.S. Environmental Protection Agency
Mail Code SRS-5J
77 West Jackson Blvd.
Chicago, IL 60604

Mr. James Mullikin, Health Physicist
U.S. Army Center for Health Promotion and
Preventive Medicine
ATTN: MCHB-TS-OHP
5158 Black Hawk Road
Aberdeen Proving Ground, MD 21010-5422

Ms. Peggy Geiseking, Environmental Law
Office of Chief Counsel
U.S. Army Soldier and Chemical Biological
Command
ATTN: AMSSB-CC
5183 Black Hawk Road
Aberdeen Proving Ground, MD 21010-5424

Mr. Bernard C. Perry, Chief
Environmental Quality Division
U.S. Army Test and Evaluation Command
ATTN: CSTE-DTC-IM-E
314 Longs Corner Road
Aberdeen Proving Ground, MD 21005-5055

Mr. Richard Hill, Co-Chair
Jefferson Proving Ground Restoration
Advisory Board
P.O. Box 813
Madison, IN 47250

Mr. Michael J. Early, Acting Chief
Plans and Evaluation Office
U.S. Army Test and Evaluation Command
ATTN: CSTE-DTC-PL
314 Longs Corner Road
Aberdeen Proving Ground, MD 21005

MEETING REPORT

Date: February 10, 2000

Time: 10:00 a.m. to 11:45 a.m.

Place: U.S. Department of the Army
U.S. Army Developmental Test Command
314 Longs Corner Road
Aberdeen Proving Ground, MD 21005-5055
Conference Room B1

Purpose: To obtain background information and decommissioning status on the depleted uranium impact area at the Jefferson Proving Ground site in Madison, Indiana

Discussion:

Staff from the U.S. Nuclear Regulatory Commission (NRC) attended a briefing by the U.S. Army Developmental Test Command (DTC) on Jefferson Proving Ground (JPG) decommissioning status. The NRC Project Manager and Section Chief and the staff from U.S. Army Soldier and Biological Chemical Command (SBCCOM) are relatively new in working with the depleted uranium cleanup at the JPG site. The licensee will submit a license amendment request to transfer the license from DTC to SBCCOM. The meeting included presentations by DTC on site history, restricted release request, decommissioning plan (DP), site conditions, and future activities. NRC staff saw photographs and models of the depleted uranium rounds.

The Army has contacted its contractor, Los Alamos National Laboratory, on responding to NRC's questions, dated January 31, 2000, on the DP. The Army will request an extension because it will take longer than 45 days to respond. NRC and the Army agreed to hold a meeting or meetings to discuss these questions so that both parties have a common understanding of what the responses should encompass. NRC said that it needs to document the environmental impact of JPG's decommissioning and restricted release proposal in an Environmental Impact Statement. This will likely result in a longer-than-previously-anticipated schedule in approving the DP.

NRC staff, new to the JPG project, plans to visit the JPG site within the next few months. NRC has also agreed to be on the agenda for the next JPG Restoration Advisory Board (RAB) meeting in May 2000 near the JPG site. The Army invited the NRC to see active depleted uranium testing area at the Aberdeen Proving Ground (APG).

NRC explained the hearing process to the Army, and informed them that all meetings between NRC and a licensee are open to the public, including site visits. NRC invited the Army to attend the public workshop on February 17 and 18, 2000, at NRC headquarters on the Standard Review Plan for Decommissioning, which NRC will use to review the Decommissioning Plan.

Action Items:

1. Once the Army and its contractor have time to review NRC's questions on the DP, the Army will contact NRC to arrange a meeting to discuss these questions.
2. The Army will send information to NRC regarding the next RAB meeting when available.
3. When the NRC decides when to visit the JPG site or the active depleted uranium testing area at APG, it will contact the Army.

MEETING ATTENDEES

Topic: U.S. Army Provided Update on Jefferson Proving Ground Site in Madison, Indiana

Date: February 10, 2000

NAME	AFFILIATION	PHONE NUMBER
Sherry Lewis	U.S. NRC Division of Waste Management	(301) 415-6619
Robert Nelson	U.S. NRC Division of Waste Management	(301) 415-7298
Robert Aaserude	U.S. Army Developmental Test Command	(410) 278-1308
Dal Nett	U.S. Army Developmental Test Command	(410) 278-1301
Michael Early	U.S. Army Developmental Test Command	(410) 278-1185
Bernard Perry	U.S. Army Developmental Test Command	(410) 278-1078/86
Paul Cloud	U.S. Army Soldier and Biological Chemical Command	(410) 436-2381
Joyce Kuykendall	U.S. Army Soldier and Biological Chemical Command	(410) 436-7118
Peggy Giesecking	U.S. Army Soldier and Biological Chemical Command	(410) 436-4659
James Mullikin	U.S. Army Center for Health Promotion and Preventive Medicine	(410) 436-2656

Jefferson Proving Ground
Source Materiel License 1435
License Termination for Restricted Use



Department of the Army Briefing for HQ NRC
Developmental Test Command
February 10, 2000

Bob Aaserude, Developmental Test Command

Agenda



- Welcome and Introductions
- Objectives
- License Termination for Restricted Use
- License Transfer: TECOM to SBCCOM
- Background: 1984-Present
- Decommissioning Plan
- Future

Welcome and Introductions

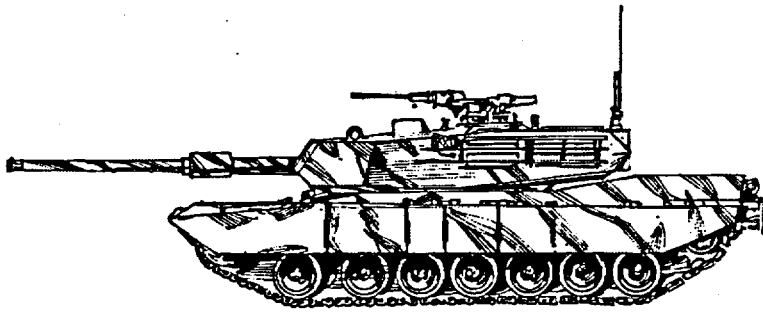


- Welcome to DTC
- Introductions
- Attendance Roster

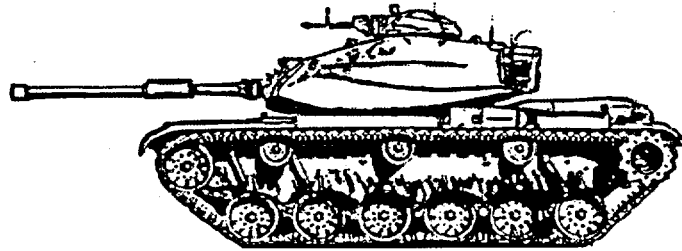
Objectives



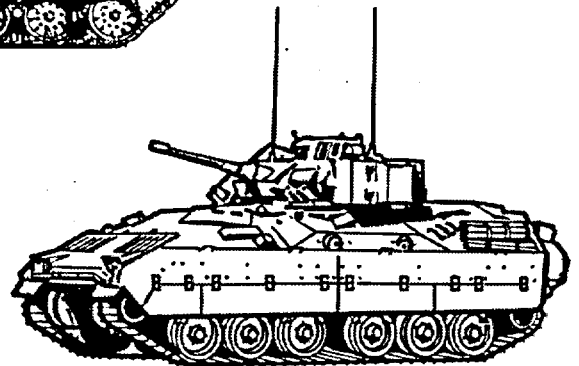
- Put Names With Faces
- Clarify Army's Request for License Termination for Restricted Use
- Determine Actions Required to Terminate License for Restricted Use
- Identify Applicable Regulations and Guidelines



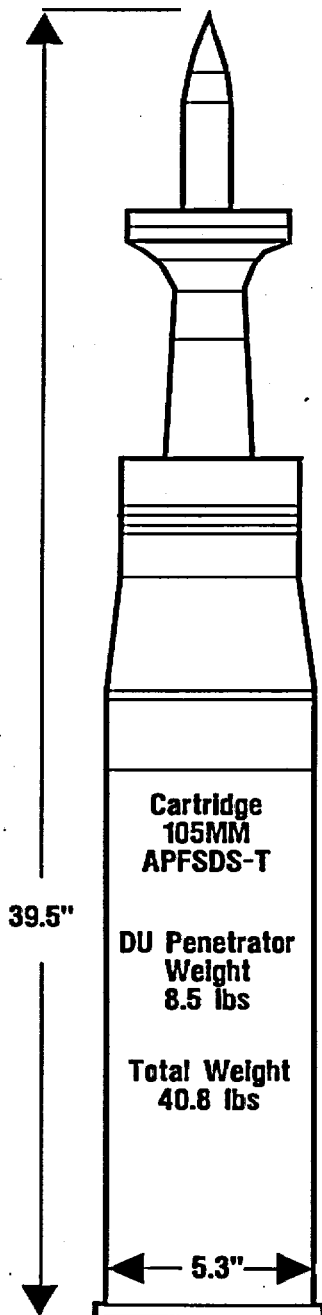
**M1 Abrams
Main Battle Tank**



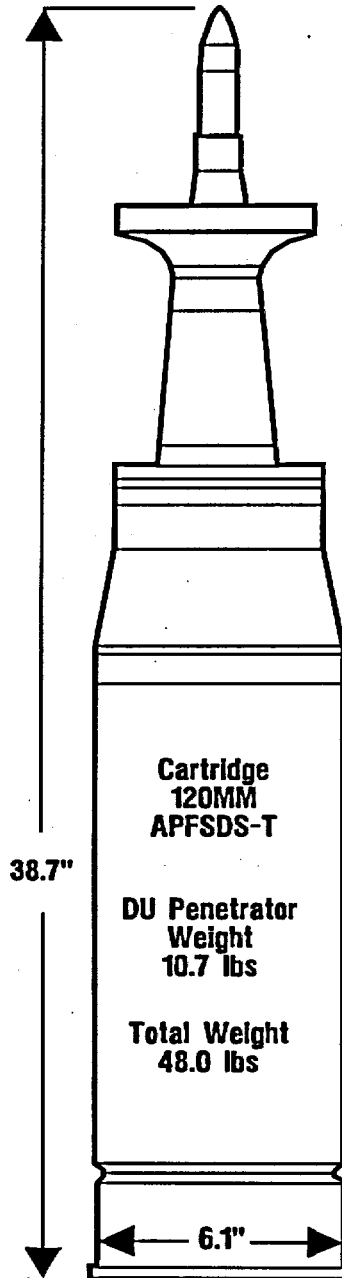
**M60 Main
Battle Tank**



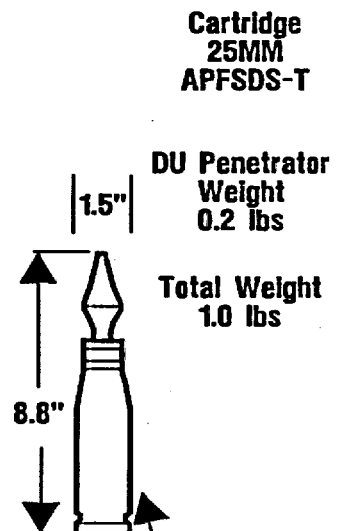
**Bradley
Fighting Vehicle**



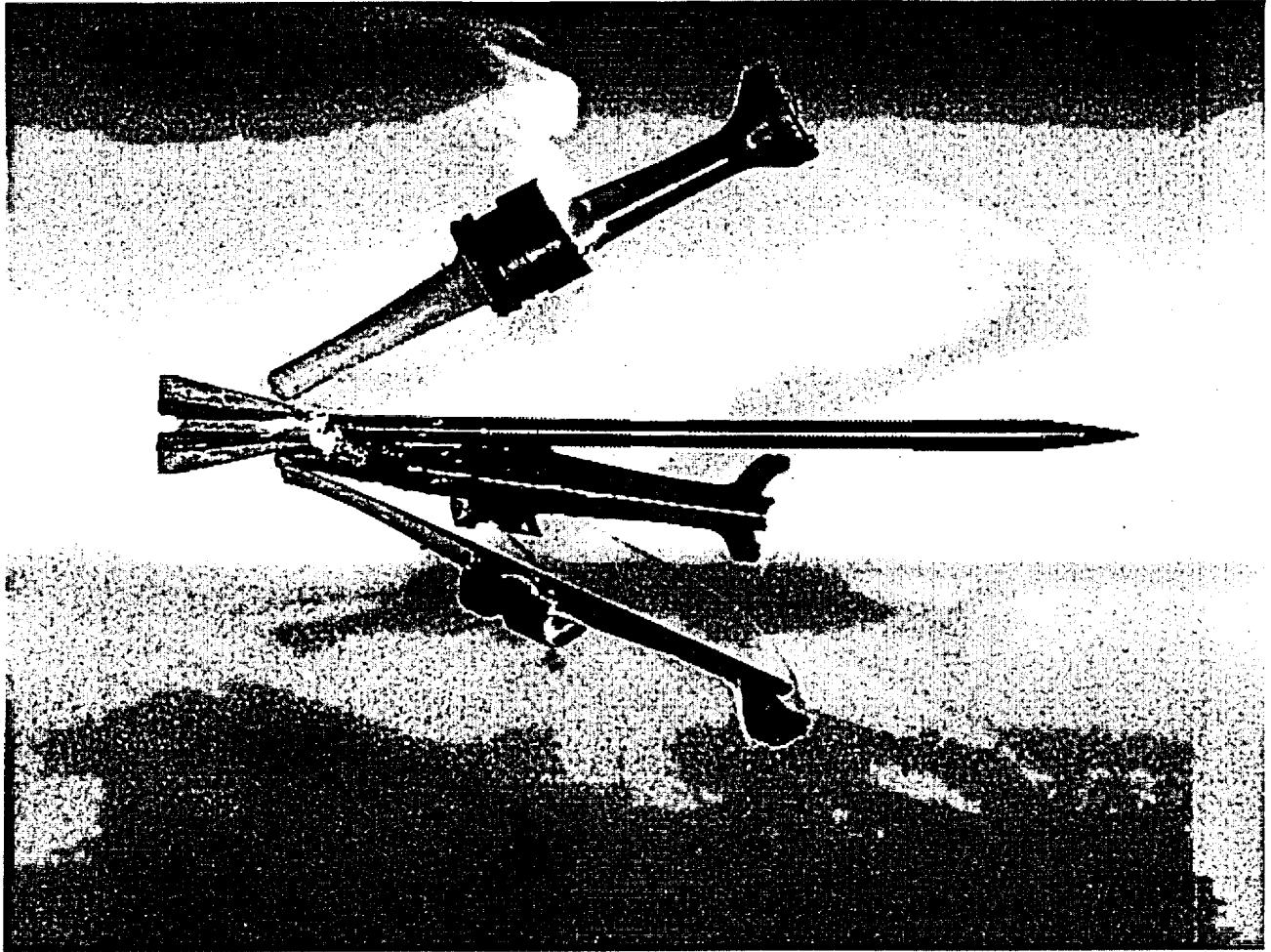
Steel Cartridge Case



Steel Case Base

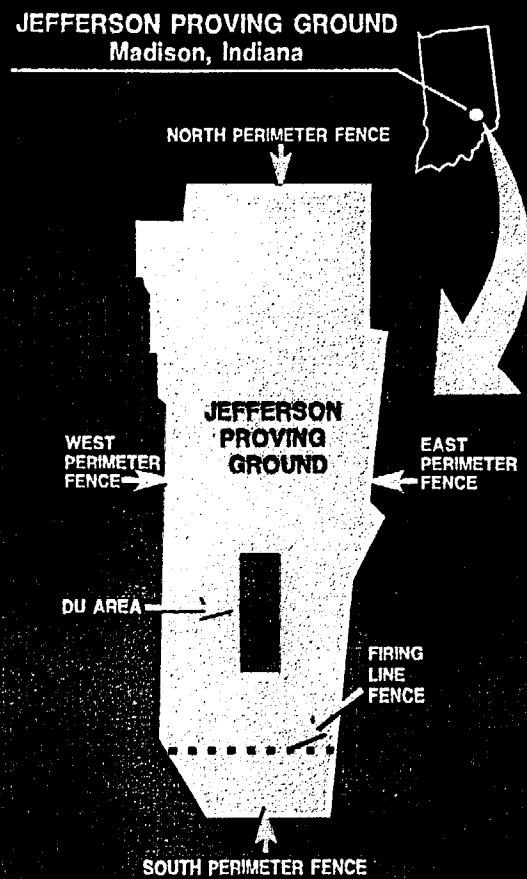


Case



DU penetrator loses windshield, sabots and fins in flight. Only the penetrator remains in the impact area.

Jefferson Proving Ground



Jefferson Proving Ground: DU Sampling
GROUNDWATER MONITORING WELLS

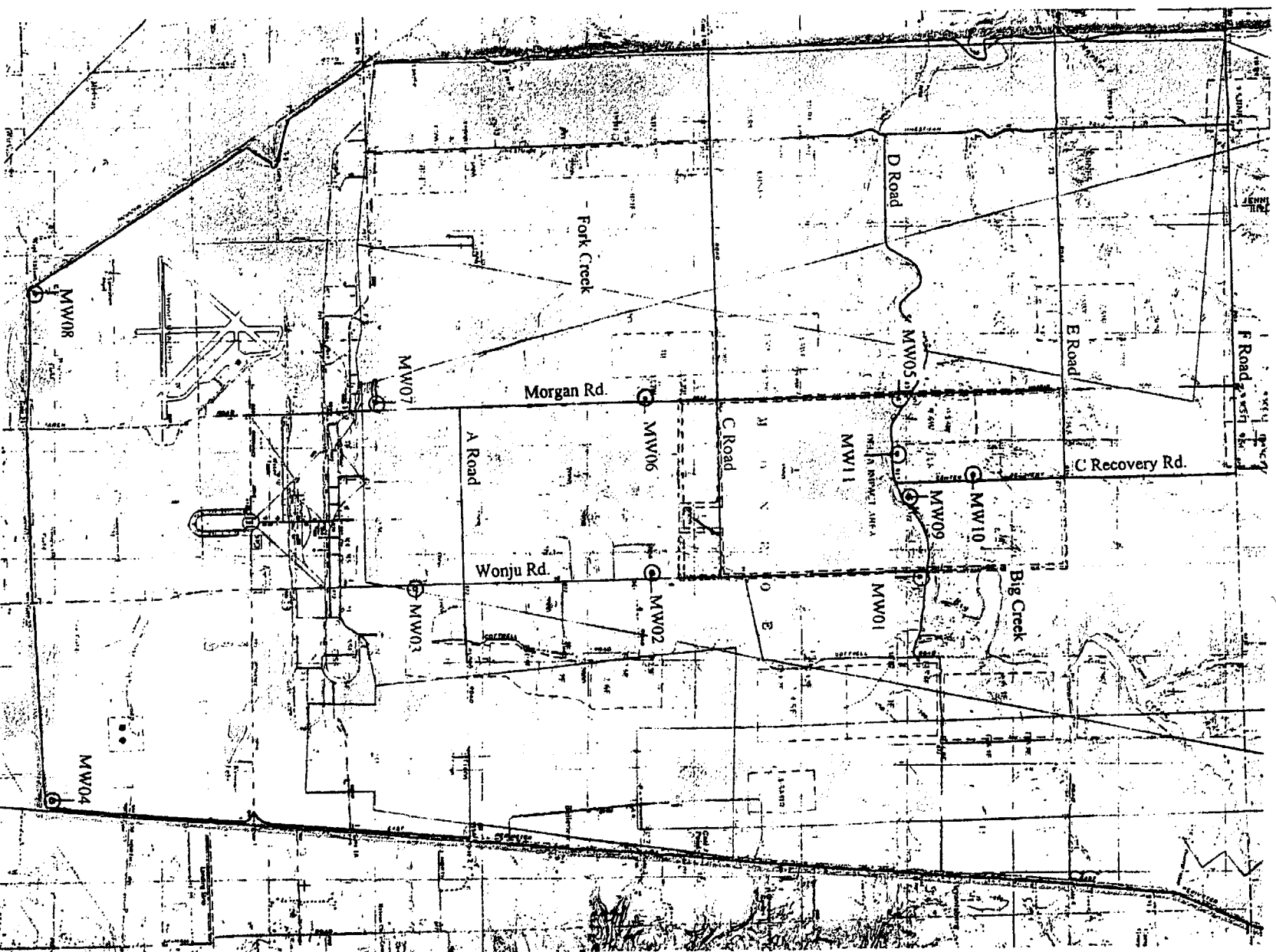


Figure 1: Groundwater Samples (Sept. 1997)





**Vegetation on Eastern
ranges impedes recovery.
Personnel are exposed
to UXO hazards.**

License Termination for Restricted Use

- Where We Are
- Where We Want To Go
- How We Can Get There

*License Transfer:
TECOM to SBCCOM*

- Transfer From TECOM (now DTC) to SBCCOM
 - Letter request being staffed at SBCCOM
 - Joyce Kuykendall to be the new Army POC

Background: 1984 to Present (1)

- Depleted Uranium (DU) Tank Ammunition
- 1983, Fall, Baseline Environmental Radiological Monitoring (ERM) Survey Completed
- 1984 (March) to 1994 (May): Depleted Uranium (DU) Tank Ammunition Testing
- 1984 to Present: Environmental Monitoring
 - Ground and Surface Water
 - Soil and Surface Water Sediments

Background: 1984 to Present (2)

- Aug 29, 1994: Army requests renewal and amendment for possession only
- Dec, 1994: Scoping survey completed
- Sep 14, 1995: Army requests license transfer from JPG to TECOM

Background: 1984 to Present (3)

- Sep 30, 1995: JPG closes as a test center
 - Buildings and areas south of the firing line decommissioned, DU removed, waste removed to a licensed disposal site
 - Estimated 80,000 kilograms of DU remains in the impact area north of the firing line
 - Caretaker staff (3) remain at JPG

Background: 1984 to Present (4)

- May 8, 1996: NRC approves license transfer from JPG to TECOM and approves release of area south of the firing line for unrestricted use
- Jul 22, 1996: NRC approves revised ERM and Security Plans
- Jun 8, 1998: Army estimates cost of decommissioning at \$849M

Background: 1984 to Present (5)

- Sep 30, 1999: TECOM Reorganized, Renamed DTC, Placed Under ATEC, JPG Transferred to SBCCOM, DTC Retains License Until it can be transferred to SBCCOM

Decommissioning Plan

- Items Which Must Be In the Plan
- Changes Needed

Future



- Site Visit
- Environmental Radiological Monitoring
- Security
- Custodial Staff