

mb-microtec

mb-microtec (USA)
P.O. Box 1174
North Tonawanda, New York 14120-9174
(716) 773-7634

October 29, 1999

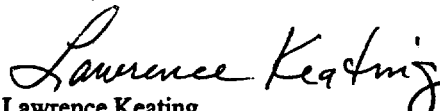
Mr. John P. Jankovich, Ph.D.
Materials Safety and Inspection Branch
Division of Industrial and Medical Nuclear Safety
United States Nuclear Regulatory Commission
Washington, DC 20555-0001

Re: Registration Certificate R-446-D-103G

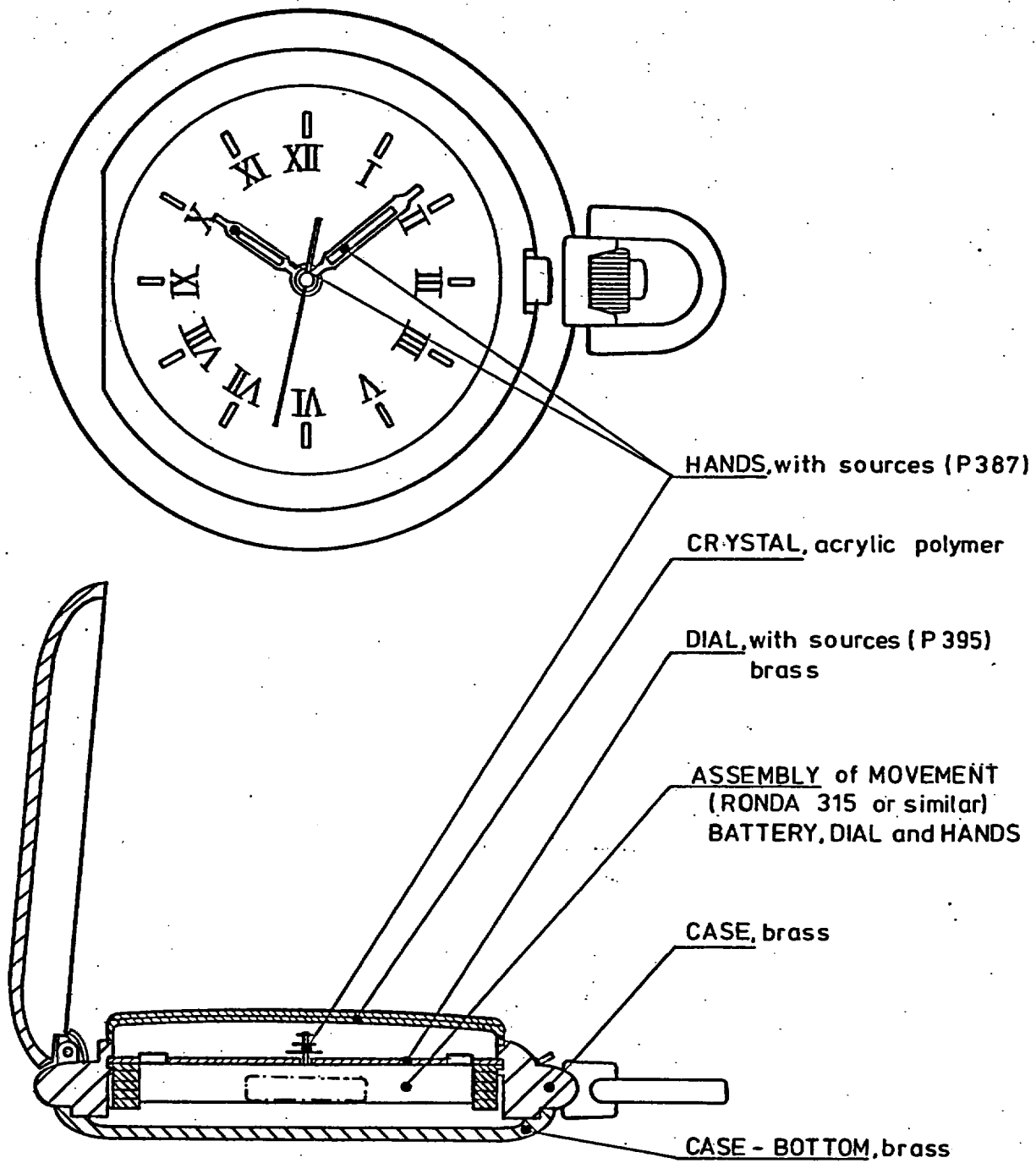
Dear Mr. Jankovich:

I am enclosing the two illustrations you requested to complete the registration of our Model 100/4 and 100/5 timepieces.

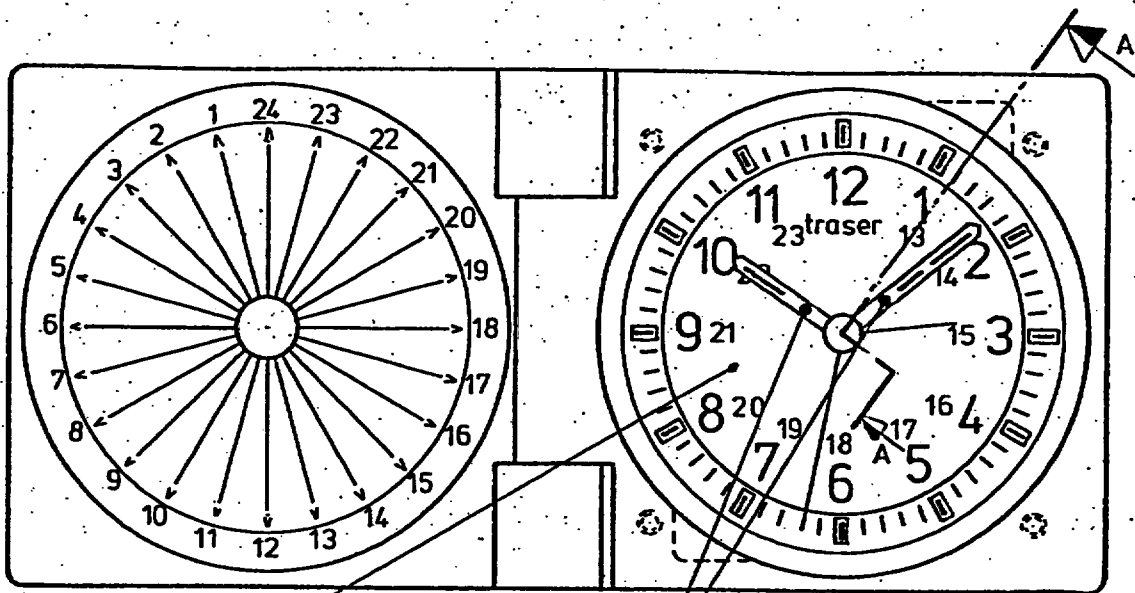
Sincerely,


Lawrence Keating
President

LK:kjw
Enclosures:
P396 Pocket Watch
P397 Alarm Clock



STÜCK réf. de pièces	Gegenstand Spécification	Pos. Rep.	Material Matière	Modell Modèle	Bemerkungen Observations	
II	I	Änderungen: Modifications:				Ersetzt durch Remplacé par Ersatz für Remplace
POCKET WATCH (ASSEMBLY)			Massstab Echelle 2:1	Gezeichnet Dessiné Geprüft Contrôlé Geschen Vu	28.10.99 24	
			mb – microtec ag		P 396	

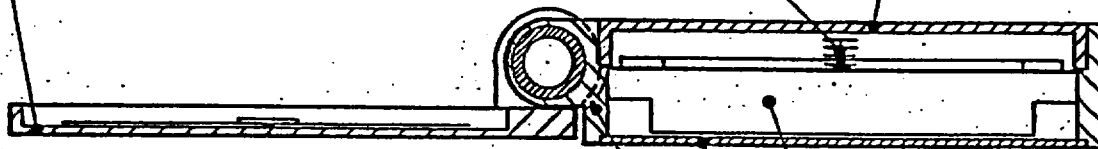


DIAL
P394

HANDS
with sources P393

CRYSTAL
acrylic polymer

FRONT-COVER
aluminum



SECTION A-A

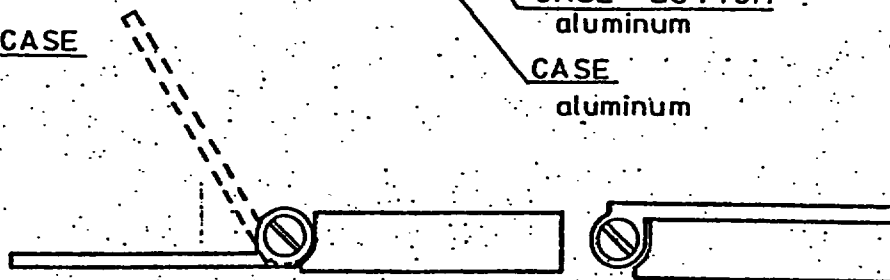
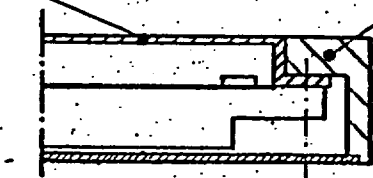
ASSEMBLY of MOVEMENT,
BATTERY, DIAL and HANDS
(P394) (P393)

CASE - BOTTOM
aluminum

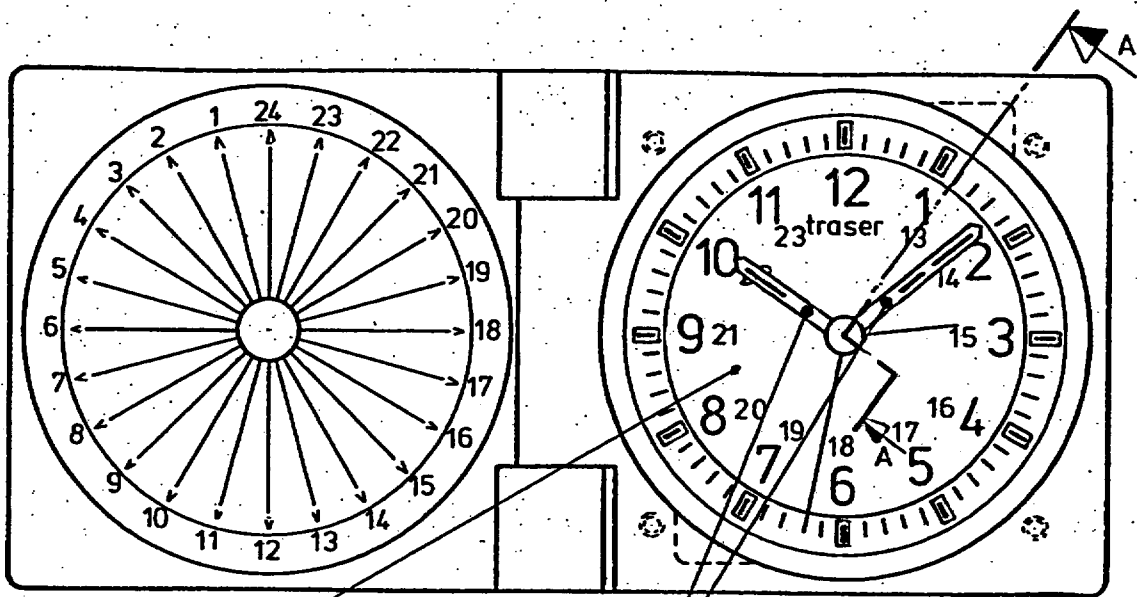
CASE
aluminum

CRYSTAL

CASE



STÜCK Nbr. de pièces	Gegenstand Spécification	Pos. Rep.	Material Matière	Modell Modèle	Bemerkungen Observations
II	I				Ersetzt durch Remplacé par _____ Ersatz für Remplace _____
DEVICE MODEL 100/4 ALARM CLOCK ASSEMBLY			Massstab Echelle 1:1 (1:2)	Gezeichnet Dessiné 29.10.99 Geprüft Contrôlé Gesehen Vu	RÄ
			mb - microtec ag		P 397

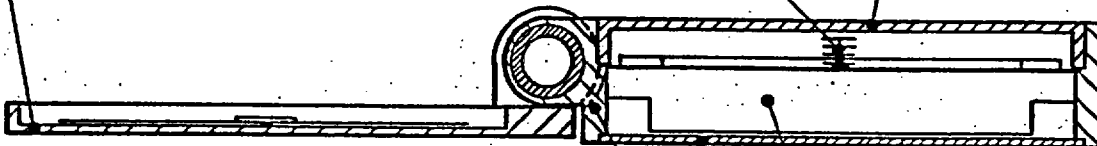


DIAL
P394

HANDS
with sources P393

CRYSTAL
acrylic polymer

FRONT-COVER
aluminum



SECTION A-A

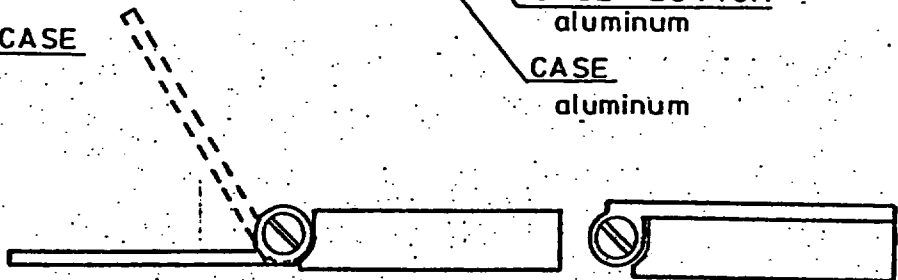
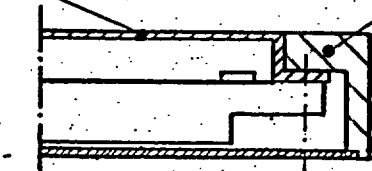
ASSEMBLY of MOVEMENT,
BATTERY, DIAL and HANDS
(P394) (P393)

CASE - BOTTOM
aluminum

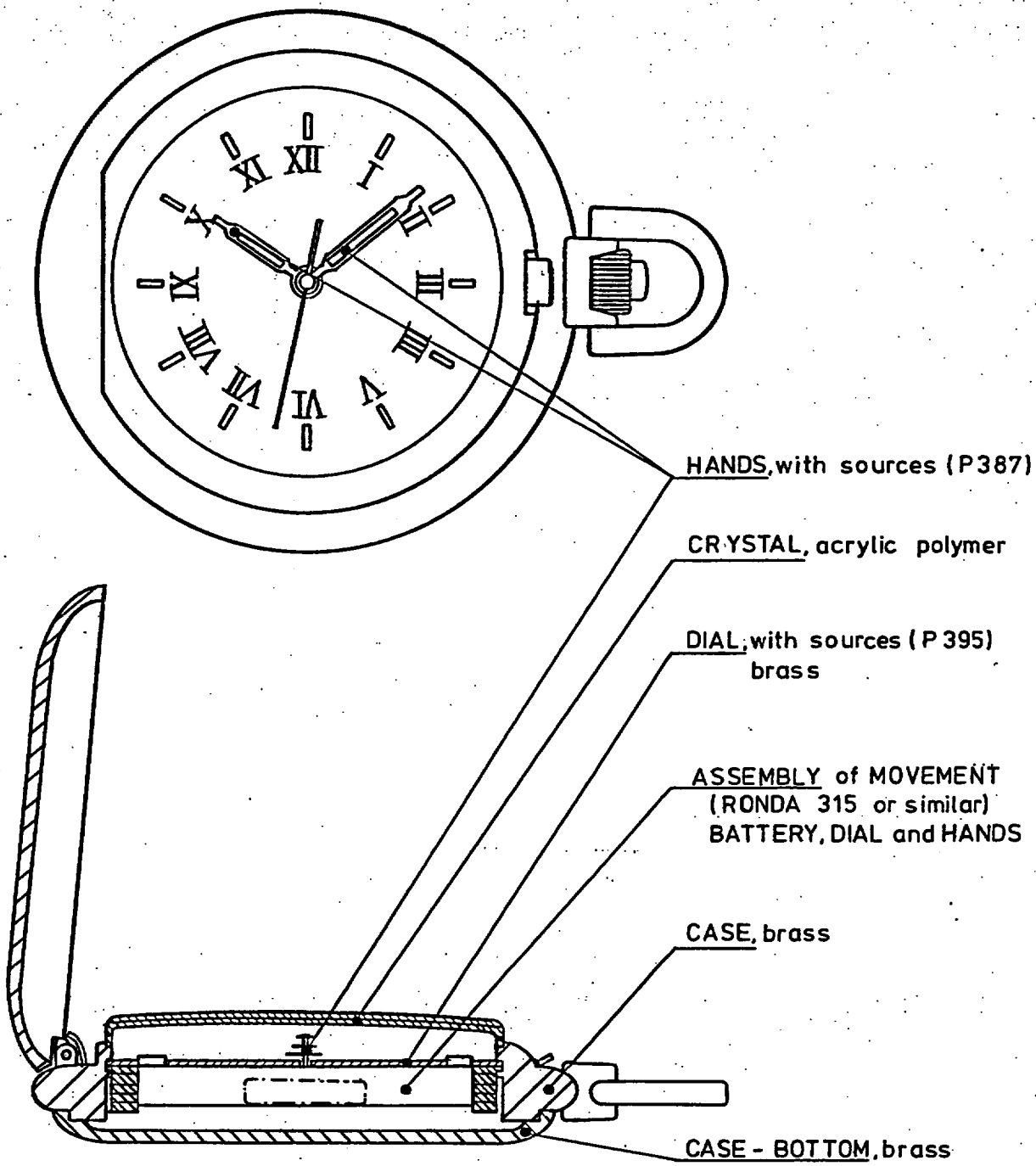
CASE
aluminum

CRYSTAL

CASE



STÜCK Nbr. de pièces	Gegenstand Spécification	Pos. Rep.	Material Matériau	Modell Modèle	Bemerkungen Observations	
II	I	Änderungen: Modifications:				
				Ersetzt durch Remplacé par		
				Ersatz für Remplace		
DEVICE MODEL 100/4 ALARM CLOCK ASSEMBLY			Massstab Echelle 1:1 (1:2)	Gezeichnet Dessiné	29.10.99	R3
				Geprüft Contrôlé		
mb – microtec ag				Gesehen Vu		
				P 397		



STÜCK N ^o . de pièces	Gegenstand Spécification	Pos. Rep.	Material Matière	Modell Modèle	Bemerkungen Observations	
II	I	Änderungen: Modifications:			Ersetzt durch Remplacé par	
					Ersatz für Remplace	
POCKET WATCH (ASSEMBLY)			Massstab Echelle	Gezeichnet Dessiné	28.10.99	92
			2:1	Geprüft Contrôlé		
mb – microtec ag				Gesehen Vu		
			P 396			

CONVERSATION RECORD

TYPE:

Outgoing Telephone x
Incoming Telephone
Meeting

NAME OF PERSON CONTACTED:

Larry Keating

ORGANIZATION:

mb-microtech

TIME:

11:00 am

DATE:

10/21/99

SUBJECT:

Request for the proper drawings

SUMMARY:

I called Mr. Keating to explain that the response to NRC's deficiency questions in his letter dated September 17, 1999, is insufficient. I discussed with him that NRC needs overview drawings for the Model Nos. 100/4 and 100/5 timepieces which show the major dimensions and components. I explained that the drawings should be similar to those of the other models which are listed in the certificate. Mr. Keating said that he will provide the drawings as soon as he can.

ACTION REQUIRED:

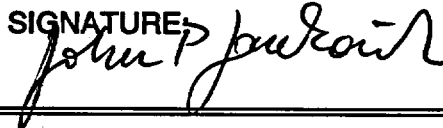
NRC to wait for the assembly drawings

PLACE THIS RECORD IN:

Registration File NR-446-D103-E
QA File
Incident File
General File SSD 99-46

PERSON DOCUMENTING THE CONVERSATION:

John Jankovich

SIGNATURE:**DATE:**

10/21/99